

niglon

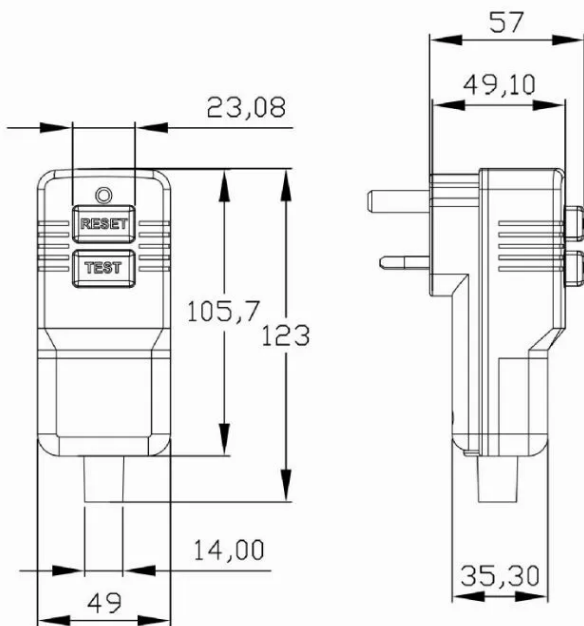
Installation Essentials

PAD13RCD

13A RCD Protected Plug



Technical Drawing



Technical Specifications

RCD Protection	Type A
Voltage Rating	240V
Current Rating	13A
Rated Trip Current	30mA
Trip Speed	≤40mS
IP Rating	IP54
Standards	BS 1363 & BS 1361
RCD Type	Active
Fused	Yes