

50674

ShieldPlus Fixed Downlight

FEATURES

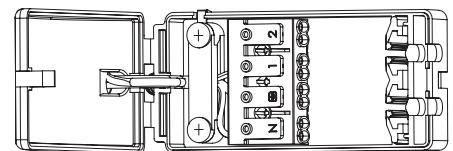
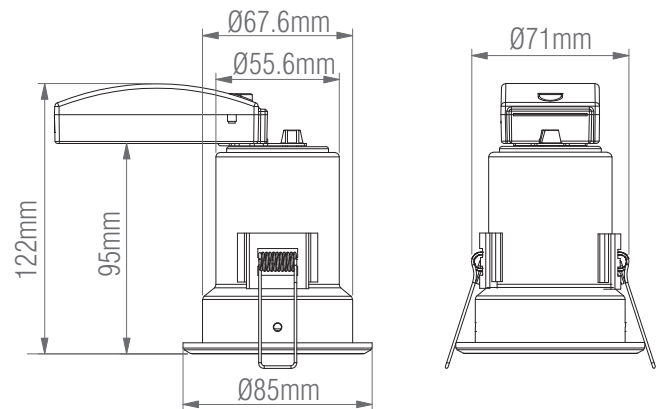
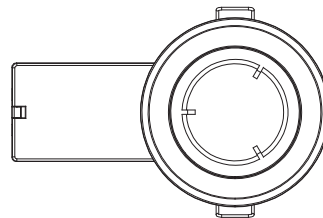
- 2 years warranty
- Chrome plate finish
- Constructed from die cast aluminium alloy & steel
- Cast bezel with chamfered tabs to aid easy lamp replacement
- Fire rated 30/60/90 minutes and acoustically rated

SPEC DATA

Product Wattage:	Max. 50W GU10 (required)
Dimmable:	Y
Product Voltage:	220-240V
Hertz:	50/60
IP Rating:	20
Product Weight (KG):	0.235
Cut hole Dia:	Ø70mm
Minimum Cavity Depth:	122mm
Terminal Block:	4-way fast fix
Class:	1

ACCESSORIES

70257, GU10 LED 60°, 3000K
70258, GU10 LED 60°, 4000K
74045, GU10 LED 60°, 6000K
70259, GU10 LED dimmable 60°, 3000K
70260, GU10 LED dimmable 60°, 4000K
74048, GU10 LED dimmable 60°, 6000K



Quick fit