

PC T5 PRO Ip, PC TCL PRO Ip, 14 – 80 W

PC PRO T5



**Product description**

- \_ Highest CELMA Energy Efficiency Index A2 BAT
- \_ Nominal life-time up to 100,000 h (at ta 50 °C with a failure rate ≤ 0.1 % per 1,000 h)
- \_ Large temperature range (for values see table)
- \_ Intelligent Voltage Guard (overvoltage indication and undervoltage shutdown)
- \_ Precise lamp operation using adjustment of lamp parameters
- \_ Advanced SMART-Heating for min. 50,000 starts without replacement of lamps
- \_ Constant luminous flux irrespective of fluctuations in mains voltage
- \_ Designed for THD < 10 %
- \_ For luminaires of protection class I and protection class II
- \_ Automatic start after replacement of defective lamps
- \_ Safety shutdown of defective lamps and at end of lamp life (EOL 2)
- \_ Insulation Displacement Connection (IDC) terminal for rapid automatic or manual wiring
- \_ For emergency lighting systems as per EN 50172
- \_ 5-year guarantee

**Website**

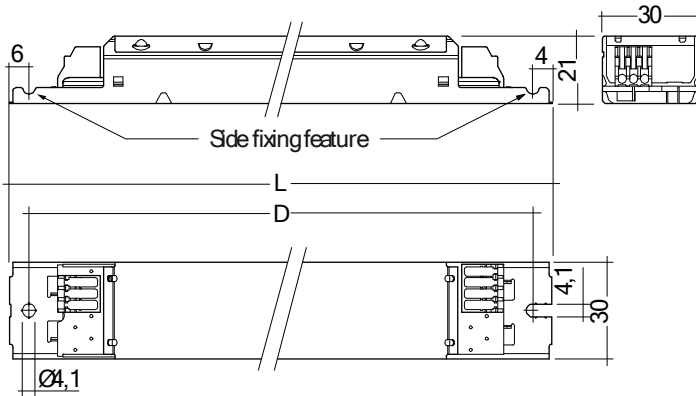
<http://www.tridonic.com/22185147>



PC T5 PRO Ip, PC TCL PRO Ip, 14 – 80 W

PC PRO T5

The complete data sheet for this product is available in the Downloads section.



Ordering data

Type	Article number	Packaging, carton	Packaging, low volume	Weight per pc.
<b>For luminaires with 1 lamp</b>				
PC 1x14-35 T5 PRO Ip	22185147	10 pc(s).	960 pc(s).	0.169 kg

Technical data

Mains voltage range	220 – 240 V
AC voltage range	198 – 264 V
DC voltage range	176 – 280 V (lamp start $\geq$ 198 V DC)
Mains frequency	0 / 50 / 60 Hz
Overvoltage protection	320 V AC, 1 h
Defined warm start	$\leq$ 1.5 s
Operating frequency	$\geq$ 39.5 kHz
Type of protection	IP20

Approval marks



Standards

EN 55015, EN 61347-2-4, EN 61347-2-3, EN 60929, EN 61000-3-2, EN 61547, Acc. to EN 50172, IEC 68-2-64 Fh, IEC 68-2-29 Eb, IEC 68-2-30

Specific technical data

Lamp wattage	Lamp type	Type	Article number	Dimensions L x W x H	Hole spacing D	Lamp power	Circuit power	EEI	Current at 50 Hz		$\lambda$ at 50 Hz		tc point max.	Ambient temperature ta	tc/ta for $\geq$ 50, 000 h
									220 V	240 V	220 V	240 V			
<b>For luminaires with 1 lamp</b>															
1 x 14 W	T16 (T5)	PC 1x14-35 T5 PRO Ip	22185147	280 x 30 x 21 mm	270 mm	14.7 W	16.7 W	A2 BAT	0.075 A	0.069 A	0.97	0.95	85 °C	-25 ... +80 °C	80/75 °C
1 x 21 W	T16 (T5)	PC 1x14-35 T5 PRO Ip	22185147	280 x 30 x 21 mm	270 mm	20.6 W	22.4 W	A2 BAT	0.101 A	0.092 A	0.97	0.95	85 °C	-25 ... +75 °C	80/70 °C
1 x 28 W	T16 (T5)	PC 1x14-35 T5 PRO Ip	22185147	280 x 30 x 21 mm	270 mm	27.9 W	30.4 W	A2 BAT	0.137 A	0.123 A	0.98	0.96	85 °C	-25 ... +75 °C	80/70 °C
1 x 35 W	T16 (T5)	PC 1x14-35 T5 PRO Ip	22185147	280 x 30 x 21 mm	270 mm	35.5 W	37.8 W	A2 BAT	0.170 A	0.153 A	0.99	0.97	80 °C	-25 ... +65 °C	75/60 °C