

PC TC PRO, 1/2x9 – 70 W

PC PRO compact



Product description

- _ CELMA Energy Efficiency Index A2 BAT / A2
- _ Nominal life-time up to 100,000 h (at ta 50 °C with a failure rate \leq 0.2 % per 1,000 h)
- _ Large temperature range (for values see table)
- _ Devices can operate either 1 or 2 lamps
- _ Intelligent Voltage Guard (overvoltage indication and undervoltage shutdown)
- _ Constant luminous flux irrespective of fluctuations in mains voltage
- _ For luminaires of protection class I and protection class II
- _ Automatic start after replacement of defective lamps
- _ Safety shutdown of defective lamps and at end of lamp life (EOL 2)
- _ For emergency lighting systems as per EN 50172
- _ For luminaires with M and MM as per EN 60598, VDE 0710 and VDE 0711
- _ Temperature protection as per EN 61347-2-3 C5e
- _ 5-year guarantee

Website

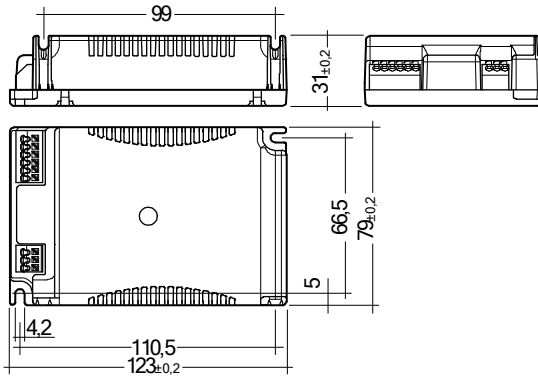
<http://www.tridonic.com/22176410>



PC TC PRO, 1/2x9 – 70 W

PC PRO compact

The complete data sheet for this product is available in the Downloads section.

**Ordering data**

Type	Article number	Packaging, carton	Packaging, low volume	Weight per pc.
For luminaires with 2 lamps				
PC 2x26-42 TC PRO	22176410	10 pc(s).	500 pc(s).	0.167 kg

Technical data

Mains voltage range	220 – 240 V
AC voltage range	198 – 264 V
DC voltage range	176 – 280 V (lamp start \geq 198 V DC)
Mains frequency	0 / 50 / 60 Hz
Overvoltage protection	320 V AC, 1 h
Defined warm start	\leq 1.6 s
Operating frequency	\geq 40 kHz
Type of protection	IP20

Approval marks**Standards**

EN 55015, EN 60929, EN 61000-3-2, EN 61347-2-3, EN 61347-2-4, EN 61547, Acc. to EN 50172

Specific technical data

Lamp wattage	Lamp type	Type	Article number	Dimensions L x W x H	Lamp power	Circuit power	EEI	Current at 50 Hz		λ at 50 Hz		tc point max.	Ambient temperature ta	tc/ta for ≥ 50, 000 h
								220 V	240 V	220 V	240 V			
For luminaires with 2 lamps														
2 x 22 W	T16-R (T5c)	PC 2x26-42 TC PRO	22176410	123 x 79 x 31 mm	48.0 W	50.9 W	A2 BAT	0.237 A	0.218 A	0.97	0.96	75 °C	-25 ... +65 °C	75/65 °C
2 x 22 + 40 W	T16-R (T5c)	PC 2x26-42 TC PRO	22176410	123 x 79 x 31 mm	62.5 W	66.6 W	A2 BAT	0.309 A	0.283 A	0.97	0.97	70 °C	-25 ... +55 °C	70/55 °C
2 x 40 W	T16-R (T5c)	PC 2x26-42 TC PRO	22176410	123 x 79 x 31 mm	74.5 W	80.2 W	A2 BAT	0.370 A	0.339 A	0.98	0.97	70 °C	-25 ... +55 °C	70/55 °C
2 x 26 W	TC-DEL	PC 2x26-42 TC PRO	22176410	123 x 79 x 31 mm	52.5 W	56.4 W	A2 BAT	0.263 A	0.241 A	0.98	0.97	75 °C	-25 ... +65 °C	75/65 °C
2 x 18 W	TC-F	PC 2x26-42 TC PRO	22176410	123 x 79 x 31 mm	28.3 W	31.0 W	A2 BAT	0.151 A	0.138 A	0.94C	0.93C	80 °C	-25 ... +75 °C	75/70 °C
2 x 24 W	TC-F	PC 2x26-42 TC PRO	22176410	123 x 79 x 31 mm	42.4 W	45.7 W	A2 BAT	0.216 A	0.198 A	0.96	0.95	75 °C	-25 ... +65 °C	75/65 °C
2 x 18 W	TC-L	PC 2x26-42 TC PRO	22176410	123 x 79 x 31 mm	30.5 W	33.3 W	A2 BAT	0.161 A	0.148 A	0.95	0.93C	80 °C	-25 ... +75 °C	75/70 °C
2 x 24 W	TC-L	PC 2x26-42 TC PRO	22176410	123 x 79 x 31 mm	47.7 W	51.1 W	A2 BAT	0.239 A	0.219 A	0.97	0.96	75 °C	-25 ... +65 °C	75/65 °C
2 x 26 W	TC-TEL	PC 2x26-42 TC PRO	22176410	123 x 79 x 31 mm	51.6 W	55.5 W	A2 BAT	0.259 A	0.237 A	0.98	0.97	75 °C	-25 ... +65 °C	75/65 °C
2 x 32 W	TC-TEL	PC 2x26-42 TC PRO	22176410	123 x 79 x 31 mm	66.1 W	71.2 W	A2 BAT	0.329 A	0.302 A	0.98	0.98	70 °C	-25 ... +55 °C	70/55 °C
2 x 42 W	TC-TEL	PC 2x26-42 TC PRO	22176410	123 x 79 x 31 mm	83.0 W	90.4 W	A2 BAT	0.417 A	0.382 A	0.99	0.98	70 °C	-25 ... +55 °C	70/55 °C