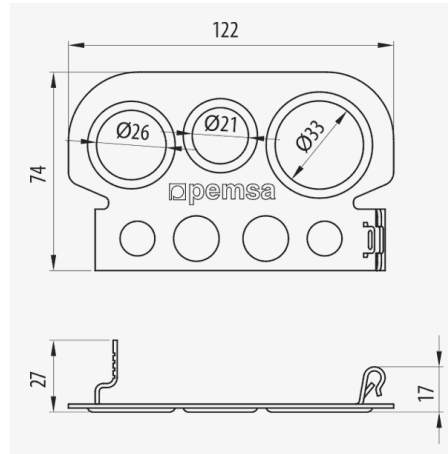


Conduit Gland Bracket (Ref: 67010040)



Description

Conduit outlet is a Rejiband® accessory used to protect the wiring output to rigid or flexible conduits. It allows connection of fittings in types PG13, PG16, PG21, M20 and M25. It is installed using the quick-fit Click system without the need of screws and can be placed in the flange or in the base of the tray. Suitable for all sizes of Rejiband® trays and available in steel, finished in Electrogalvanised EG.

Advantages

Fixing by quick mount click system.

Quick installation without the need for screws or fastenings.

Protects the cable outlet.

Use with Pemsa conduit + RGP connector.

It accepts fittings in sizes of: PG13, PG16, PG21, M20 and M25.

Applications

Allows the connection of fittings or glands and allows the output of electrical or telecommunications wiring from rigid or flexible conduits.

Solutions



Conduit Gland Bracket (Ref: 67010040)

Product data

Finish	E.G.	Resistance Class	Class 3
Fire Resistance	A1 No combustible	u	10 u
kg/u	0.082	Working temperature range (°C)	-50°/ 150°
Material	Steel with surface coating		

Coatings

PG/GS - Pre-Galvanised Finish. Resistance to corrosion according to EN-10346. Adequate for indoor installations.

EZ - Electrogalvanized, white, according to EN ISO 2081. Electrolytic zinc protection adequate for indoor installations.

BC - Electrogalvanized Bycro, yellow, in compliance with EN ISO 2081. Improved resistance to corrosion, especially adequate for demanding indoor installations.

GC - Hot-dipped galvanizing in compliance with EN ISO 1461. Appropriate for outdoor installations and aggressive environments.

BLACK C8 - High Resistance coating, Black Colour. Neutral Salt Spray Chamber test >1000 h acc. to ISO 9227.

304 and 316L stainless steel, in compliance with EN 10088 standard, with passivated Thermicron treatment. Appropriate for outdoor installations and highly aggressive environments.

Conduit Gland Bracket (Ref: 67010040)

Product applications

□

