

## INSTALLATION & MAINTENANCE MANUAL

### JB002 JB003 & JB004

---



IP  
68

# GENERAL INSTRUCTIONS:

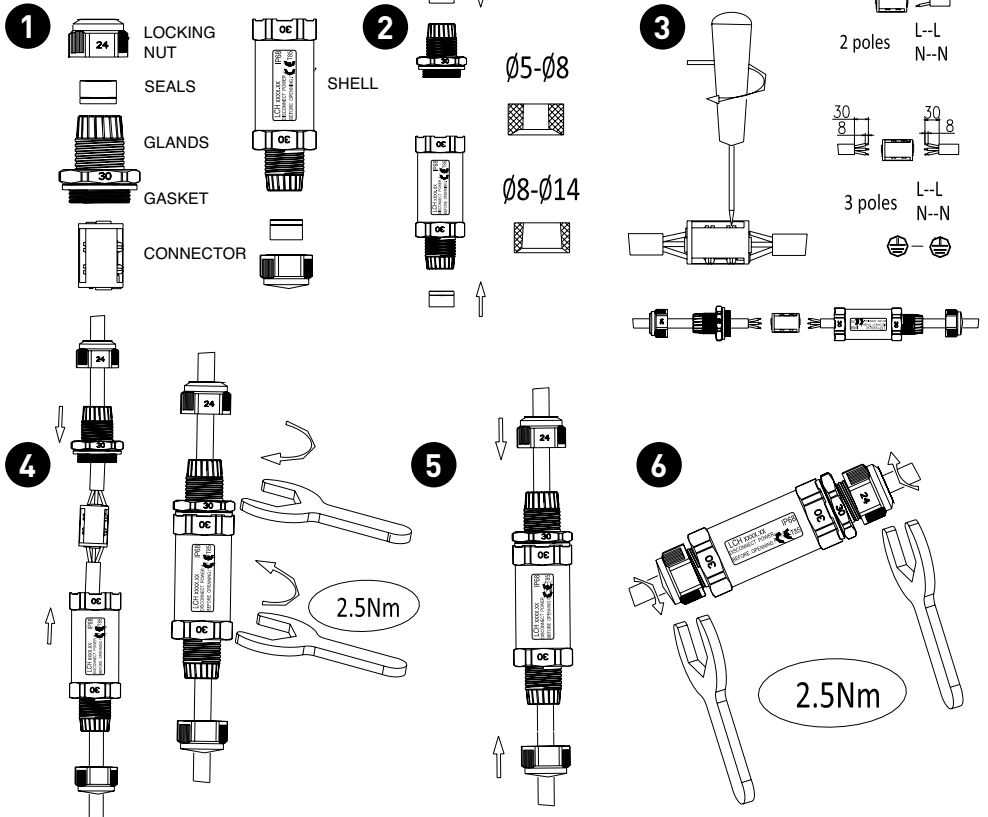
These instructions should be read carefully and retained after installation for further reference and maintenance.

## SAFETY

- Before installation/maintenance ensure that the supply to the cable to be joined is switched off and the circuit fuses are removed or switched off
- Installation of these products must be carried out by a competent person or by a qualified electrician to the current IEE Wiring and Building Regulations
- Please recycle this unit
- 230V 50Hz
- JB002 and JB003 - IP68 (5mtrs max) JB004 – IP68
- 3 - Pole screw-fix terminals
- H07RN-F cable – min 0.75mm<sup>2</sup> 3 core – max 4.00mm<sup>2</sup> 3 core
- EN50262

## INSTALLATION

### JB002



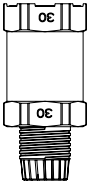
# JB003

**1**

Ø5-Ø8



Ø8-Ø14

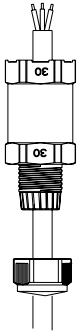


SHELL

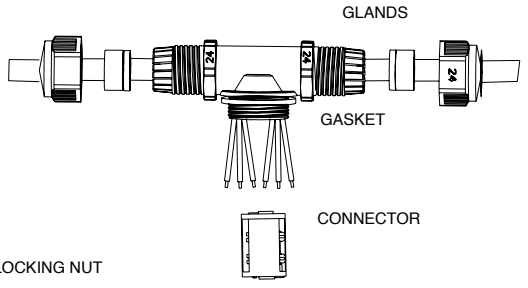


SEALS

**2**



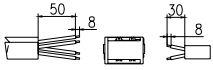
LOCKING NUT



GLANDS

GASKET

CONNECTOR

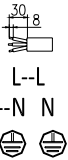


2 poles

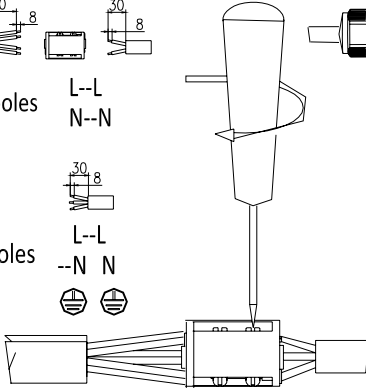
L-L  
N-N

**3**

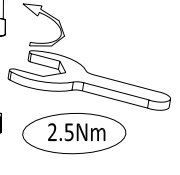
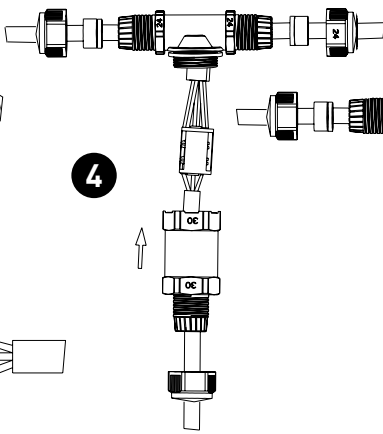
3 poles



L-L  
--N N

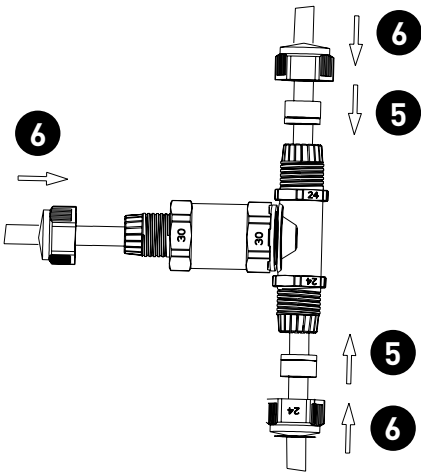


**4**

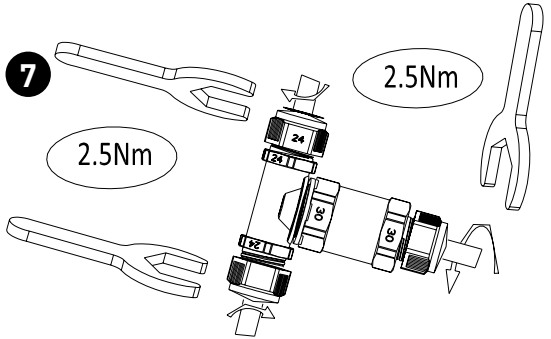


2.5Nm

**6**



**7**



2.5Nm

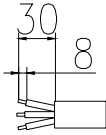
2.5Nm

# JB004

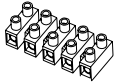
Ø8-Ø14



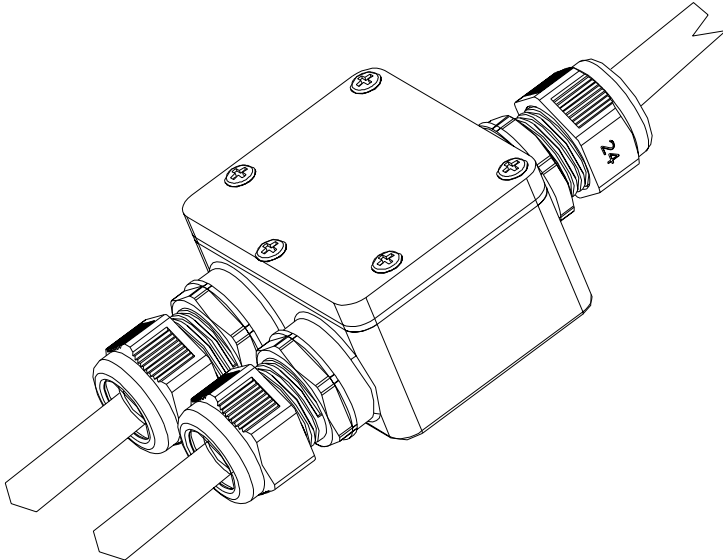
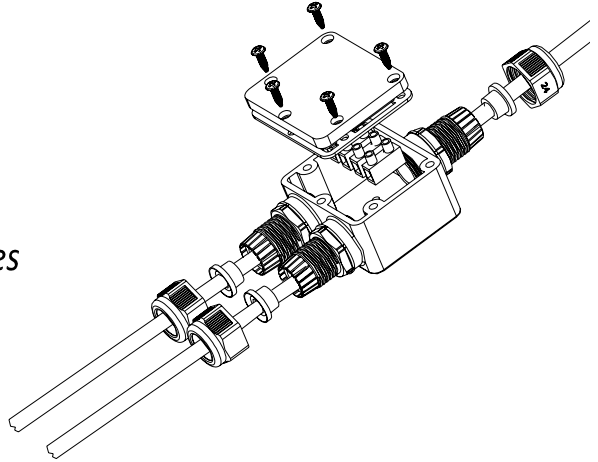
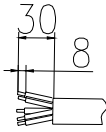
3 poles



Ø5-Ø8



5 poles



ML Accessories Limited  
LU5 5TA

[www.mlaccessories.co.uk](http://www.mlaccessories.co.uk)

10-14-PSV2SC88