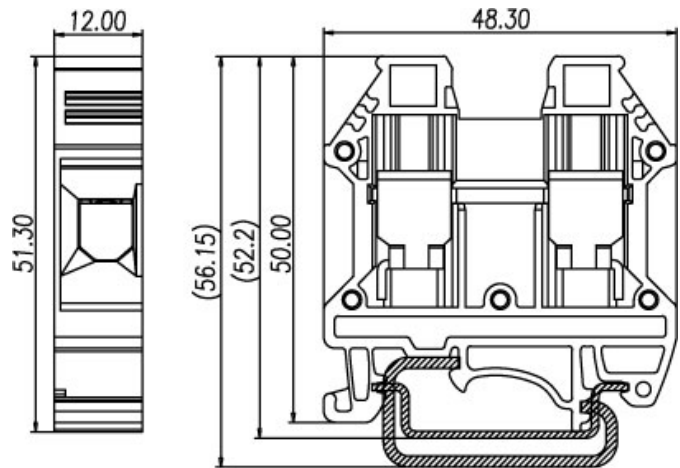
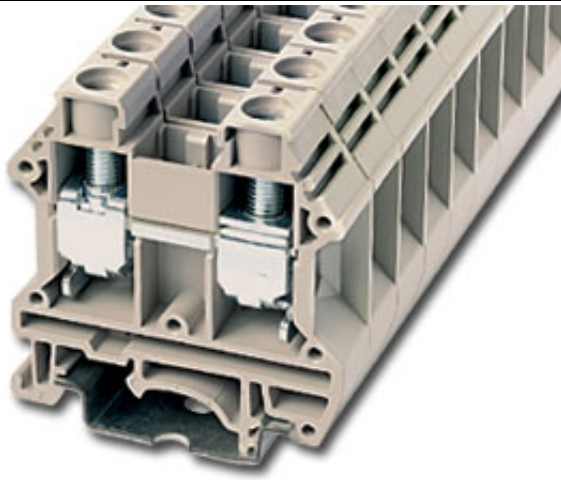








## DIN Rail terminal blocks / DK..N series



### DK16N



Approval	 	
Technical Data	UL	IEC
Rated voltage	600V	1000V
Rated current	100A	76A
Conductor cross-section, solid (AWG / mm <sup>2</sup> )	14~3 / 1.5~16	
Conductor cross-section, flexible (AWG / mm <sup>2</sup> )	14~3 / 1.5~16	
Rated impulse withstand voltage	8KV	
Torque (N-m)	3.4	2
Screw	M5	
Wire strip length	14~16mm	
Insulating material	PA	
TxHxW (mm)	12 x 51.3 x 48.3	
Optional color	Cat. No.	
	DK16N-RD	
	DK16N-BL	
	DK16N-BK	
	DK16N-OR	



	Accessories	Cat. No.
End cover		DK16NC
Partition		
Small partition		DKNSPS-003
Insertion bridge	2 way	DSS16N-02P
Insertion bridge	2 way	CSC-1602P
	:	:
	:	:
	10 way	CSC-1610P
Screw-on bridge		
Marking label		TM28
Mounting Rail		TS-35 / TS-32
Tool		