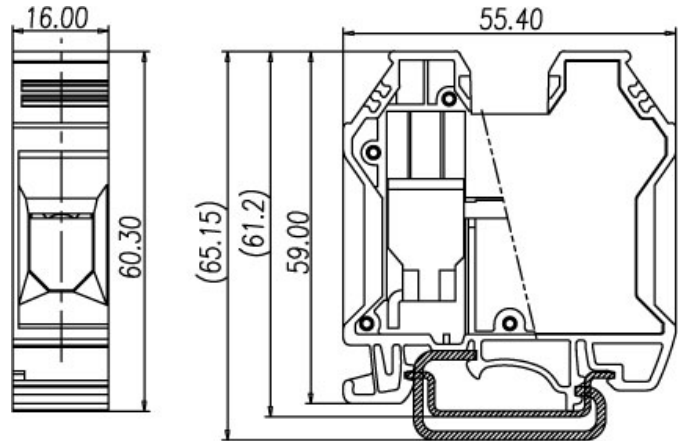
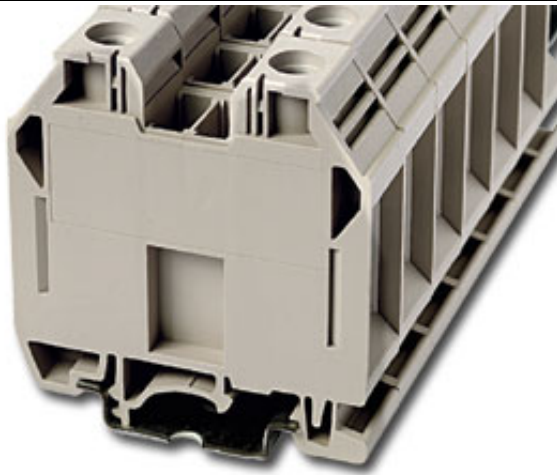




DIN Rail terminal blocks / DK..N series



DK35N



Approval	 	
Technical Data	UL	IEC
Rated voltage	600V	1000V
Rated current	150A	125A
Conductor cross-section, solid (AWG / mm ²)	12~1/0 / 2.5~35	
Conductor cross-section, flexible (AWG / mm ²)	12~1/0 / 2.5~35	
Rated impulse withstand voltage	8KV	
Torque (N-m)	6.9	
Screw	M6	
Wire strip length	14~16mm	
Insulating material	PA	
TxHxW (mm)	16 x 60.3 x 55.4	
Optional color	Cat. No.	
●	DK35N-RD	
●	DK35N-BL	
●	DK35N-BK	
●	DK35N-OR	



	Accessories	Cat. No.
End cover		
Partition		
Small partition		DKNSPS-004
Insertion bridge	2 way	DSS35N-02P
Insertion bridge	2 way	CSC-3502P
	:	:
	:	:
	10 way	CSC-3510P
Screw-on bridge		
Marking label		TM28
Mounting Rail		TS-35 / TS-32
Tool		