

MEASUREMENT & CONTROL

DELAY ON STAR/DELTA

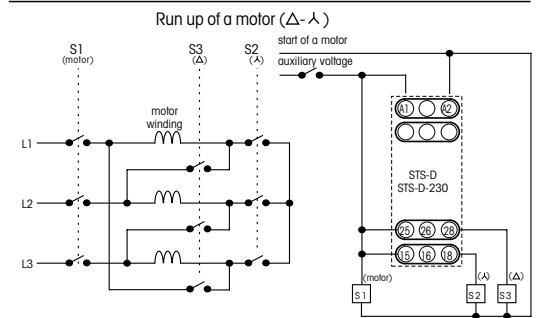
STS-D

- Supply voltage: AC/DC 12 - 240 V
- 1 time function: Delay ON star/delta
- Time t1 (star):
 - time scale 0.1 s - 100 days, 10 time ranges
 - rough time setting by rotary switch
- Time t2 (dwell period):
 - time range 0.1 s - 1 s
 - fine time setting by potentiometer
- Output contact: 2x changeover 16 A
- Output indication: multifunction red LED
- 1-MODULE, DIN rail mounting



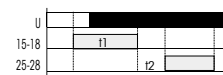
Technical parameters	STS-D
Number of functions:	1
Supply terminals:	A1 - A2
Supply voltage:	AC/DC 12 - 240 V (AC 50 - 60 Hz)
Consumption:	AC 0.7 - 3 VA / DC 0.5 - 1.7 W
Supply voltage tolerance:	-15 %; +10 %
Supply indication:	green LED
Time ranges:	0.1 s - 100 days
Time setting:	rotary switch and potentiometer
Time deviation:	5 % - mechanical setting
Repeat accuracy:	0.2 % - set value stability
Temperature coefficient:	0.01 % / °C, at = 20°C
Output	
Changeover contacts:	2. (AgNi)
Rated current:	16 A / AC1
Breaking capacity:	4000 VA / AC1, 384 W / DC
Inrush current:	30 A / <3 s
Switching voltage:	250 V AC1 / 24 V DC
Min. breaking capacity DC:	500 mW
Output indication:	multifunction red LED
Mechanical life:	3x10 ⁷
Electrical life (AC1):	0.7x10 ⁵
Reset time:	max. 150 ms
Other information	
Operating temperature:	-20°.. +55°C
Storage temperature:	-30°.. +70°C
Electrical strength:	4 kV (supply - output)
Operating position:	any
Mounting/DIN rail:	DIN rail EN 60715
Protection degree:	IP 40
Overvoltage category:	///.
Pollution degree:	2
Max. cable size:	max. 2.5 mm ² / with crimped terminations 1.5 mm ²
Dimensions:	90 x 17.6 x 64 mm, see Dimensions page
Weight:	UNI - 87 g
Standards:	EN 61812-1, EN 61010-1

Connection

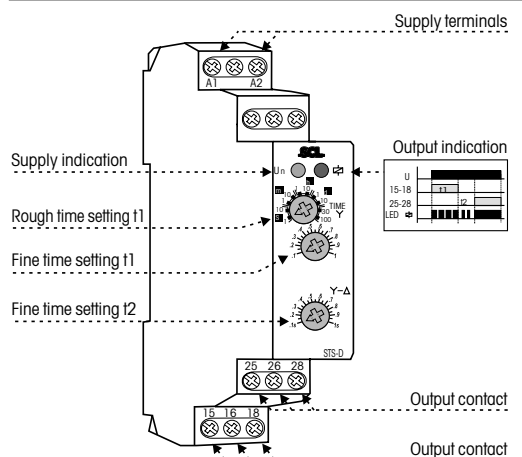


Functions

Delay ON star/delta



Descriptions



Time Ranges

