

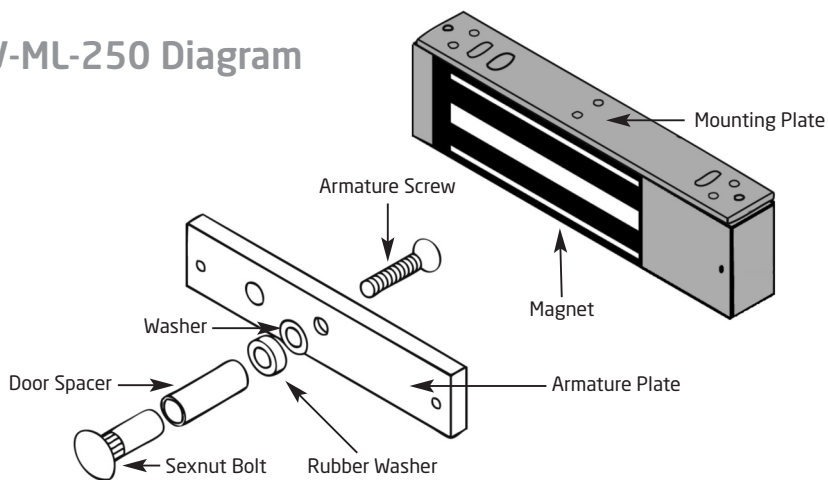
# EV-ML-250

## 250KG MAGNETIC LOCK INSTRUCTIONS



[www.espuk.com](http://www.espuk.com)

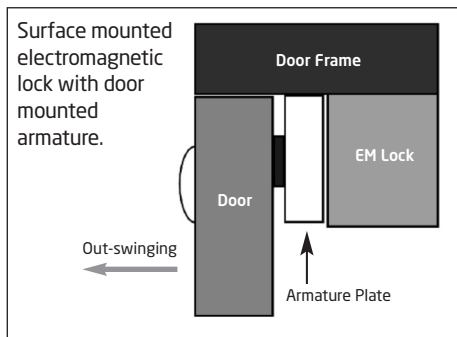
## EV-ML-250 Diagram



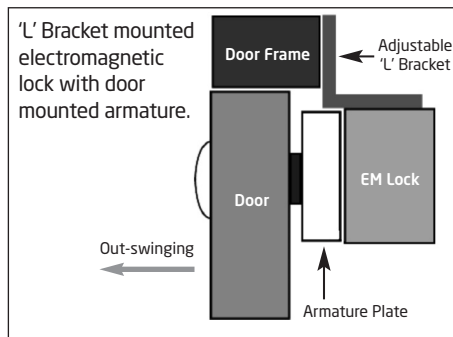
## Mounting Configurations

Please identify the type of installation required, for example; which way the door will swing. Refer to the installation diagrams for the **electro magnetic lock & armature** to complete the install.

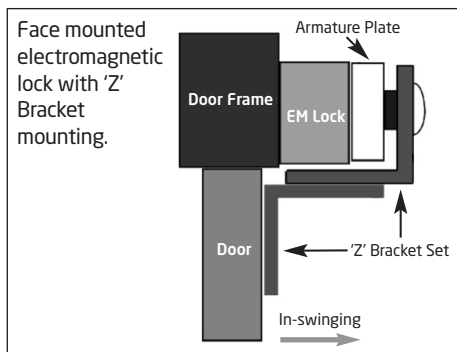
### Standard mounting



### 'L' Bracket mounting

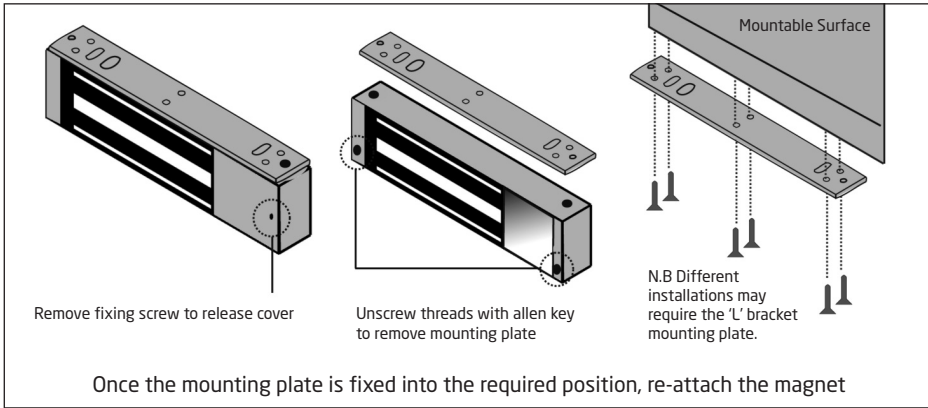


### 'Z' Bracket mounting

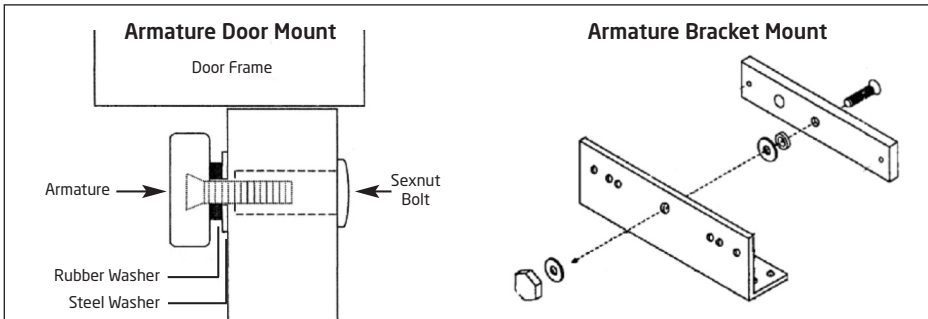


## Installation Instructions

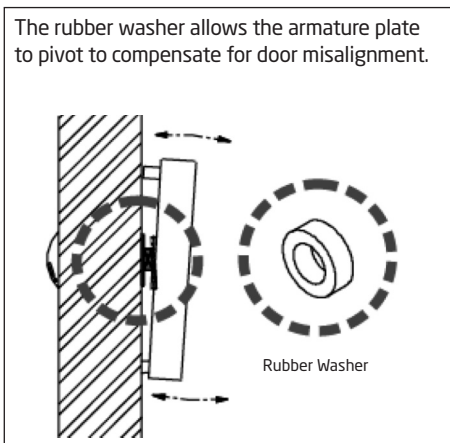
### Removal of the Mounting Plate/Installation of electromagnetic lock



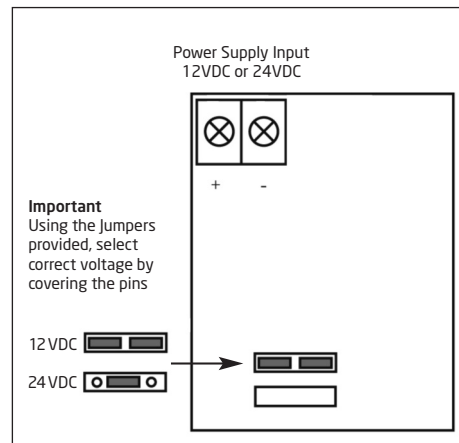
### Armature installation



### Rubber washer installation



### Wiring configuration



## Technical Specifications

Holding Force	250kg/550lbs max
Housing	Stainless Steel
Dual Voltage	12 & 24 VDC
Current Drawn	420mA @ 12VDC 240mA @ 24VDC
Safety Approval	CE
Magnet Dimension	250 x 42 x 25 mm
Armature Dimension	180 x 38 x 10 mm