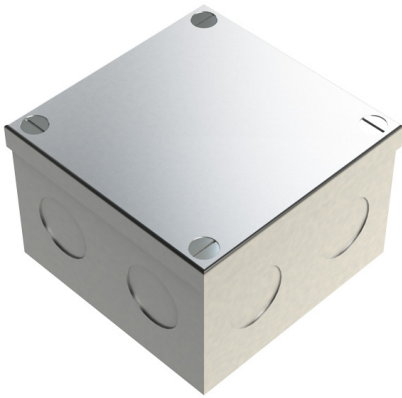


**PRODUCT CODE: AB02G-K**  
ADAPTABLE BOX - KNOCKOUT



**DESCRIPTION**

75 x 75 x 50mm (3 x 3 x 2") Adaptable Box with Knock-outs

**FINISH**

Pre Galvanised

**MATERIAL**

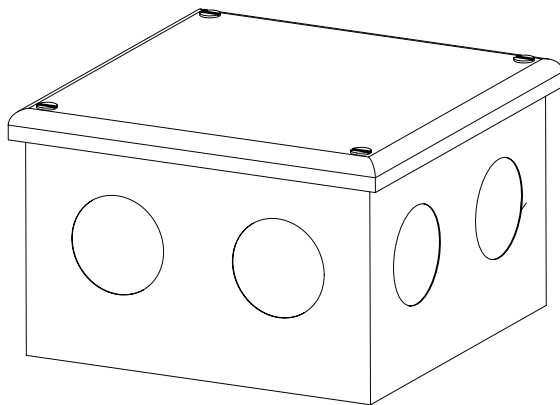
Galvanised Sheet Steel

**PACKAGING**

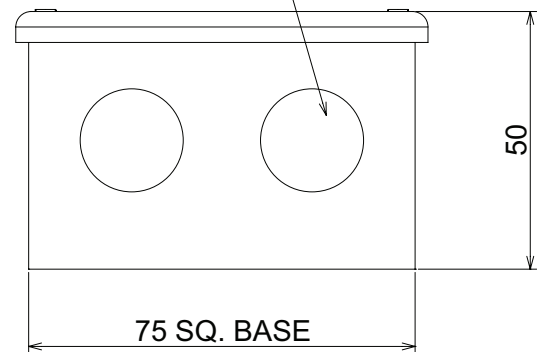
Packed in qty 10 (can be purchased individually)

**ADDITIONAL NOTES**

Comprises body, flanged cover and M5 x 10mm lid fixing screws  
Knock outs - 2 x 20mm on each face  
Compliant to LU Standard 1-085 (for use on surface & sub-surface locations)



20mm KNOCKOUT 8 PLACES



Values are nominal and with a general tolerance  $\pm 5\%$  unless otherwise specified