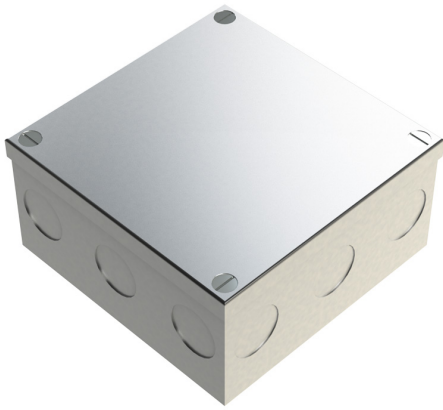


PRODUCT CODE: AB05G-K
ADAPTABLE BOX - KNOCKOUT



DESCRIPTION

100 x 100 x 50mm (4 x 4 x 2") Adaptable Box with Knock-outs

FINISH

Pre Galvanised

MATERIAL

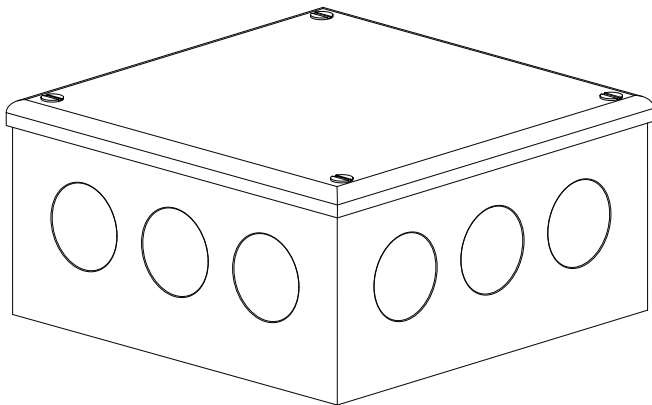
Galvanised Sheet Steel

PACKAGING

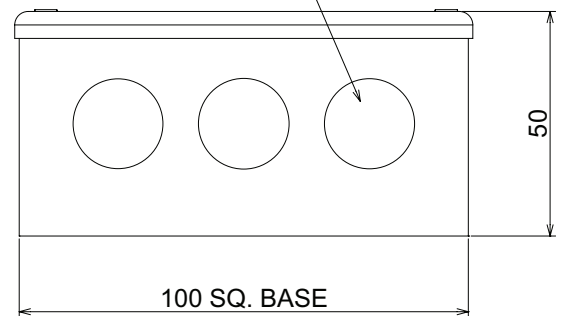
Packed in qty 5 (can be purchased individually)

ADDITIONAL NOTES

Comprises body, flanged cover and M5 x 10mm lid fixing screws
Knock outs - 3 x 20mm on each face
Compliant to LU Standard 1-085 (for use on surface & sub-surface locations)



20mm KNOCKOUT 12 PLACES



Values are nominal and with a general tolerance $\pm 5\%$ unless otherwise specified