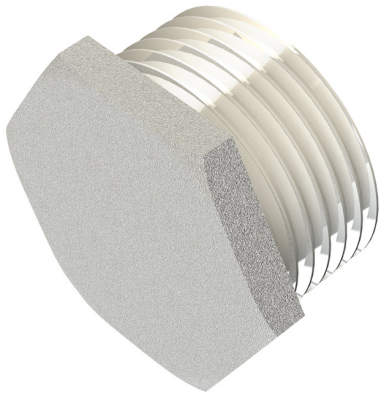


PRODUCT CODE: HSP3G
HEXAGON STOPPING PLUG



DESCRIPTION

32mm Hexagon Conduit Stopping Plug

FINISH

BZP

MATERIAL

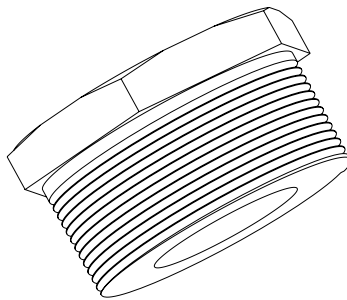
Steel

PACKAGING

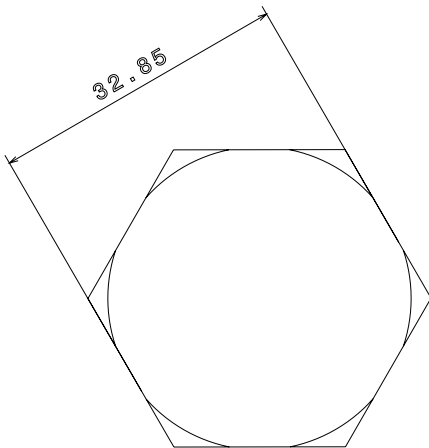
Packed in qty 25

ADDITIONAL NOTES

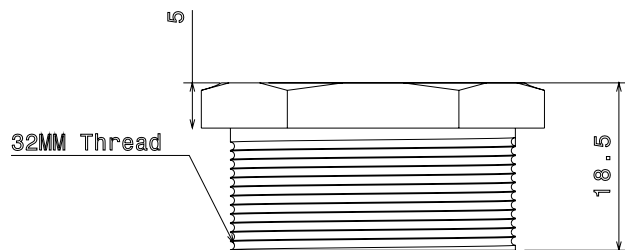
Conforms to BS EN61386-1
Compliant to LU Standard 1-085 (for use on surface & sub-surface locations)



Isometric view



Top view



Side view