

**PRODUCT CODE: TB11G**  
MALLEABLE CONDUIT BOX

**DESCRIPTION**

25mm Malleable Back Outlet Conduit Box

**FINISH**

Hot Dipped Galvanised

**MATERIAL**

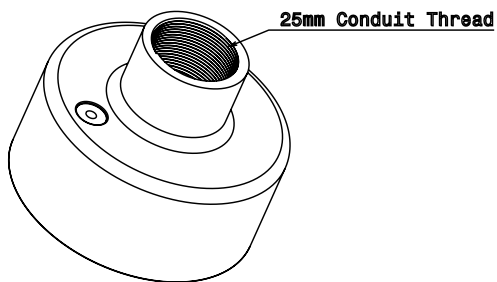
Malleable Iron

**PACKAGING**

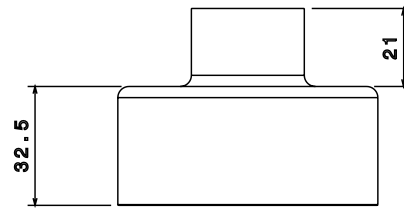
Packed in qty 10

**ADDITIONAL NOTES**

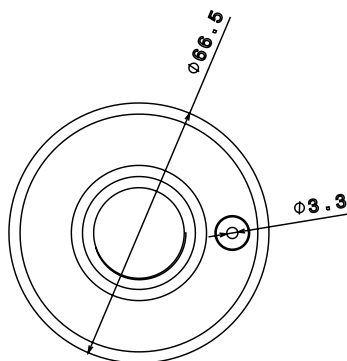
Conforms to BS EN61386-1:2008  
Compliant to LU Standard 1-085 (for use on surface & sub-surface locations)



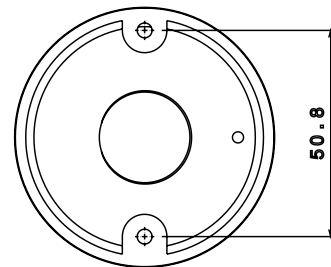
Isometric view



Side view



Top view



Bottom view