



4/8 Module Box Enclosures with Flap, IP65

Part Number: ERSCU8

Specifications and Dimensions

- 4 to 8 modules
- Snap closing tinted window
- Metal DIN rail
- Sealable
- 11W dispersible power
- Installation temperature: -15°C to 60°C
- Fire resistance: Glow wire test 750°C

For any further comments or assistance please contact:

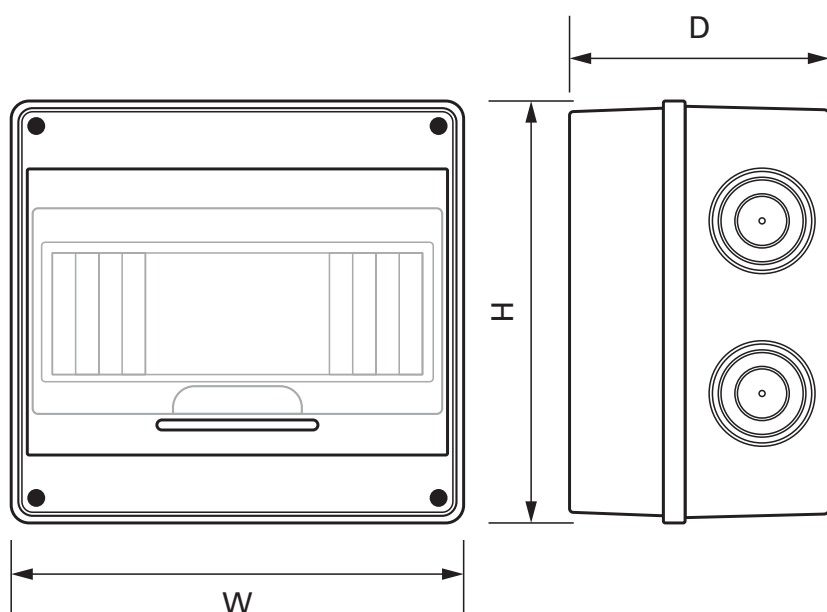
eris-eu.com



Product Specifications

Specifications	
IP Rating	IP65
Weight	0.470kg
Mounting	Surface
Cable Entry	Knockout Entry - M20.5 / M29 / M37.5 x 10
Colour	Grey
Material	ABS/PC
Compliance	UKCA, CE
Guarantee	1 year
Standards	EN 60670-22:2006

Dimensions



Dimensions	
Depth	92mm
Height	158mm
Width	200mm

For any further comments or assistance please contact:

eris-eu.com