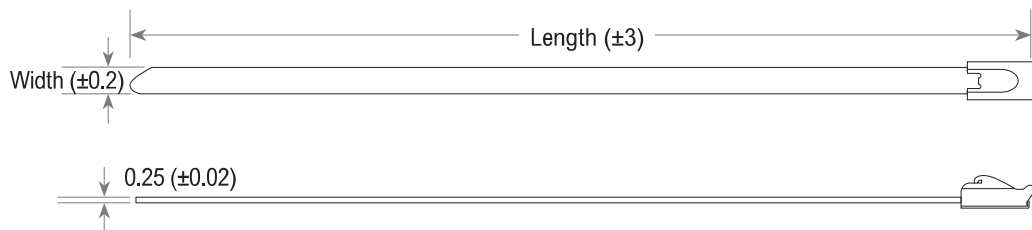
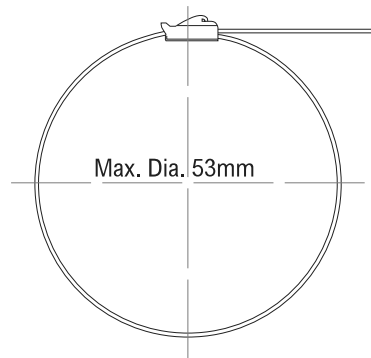




Uncoated Steel Stainless Cable Ties

Ball Lock Type

- 316 Stainless steel for the most corrosive environments.
- High tensile strength.
- Low insertion force with excellent resistance to weathering and ageing.
- Water Absorption: None.
- Flammability: Non-flammable
- Ultraviolet Resistance: Excellent.
- Chemical Resistance: Excellent.
- Operating Temperature: -80°C to +538°C
- Self-locking head design speeds installation and locks into place at any length along the tie body.
- Provided a strong, durable method of cable bundling.
- Can be used in a wide range of indoor, outdoor and underground (including direct burial) applications.
- Smooth surface and rounded edged assures cable protection and worker safety.
- Provide the ultimate support for network cables.



Item No.	Approx. Length L (mm)	Approx. Width W (mm)	Max. Bundle Dia. (mm)	Min. Loop Tensile Strength (kg)
YCT15046SS	150	4.45	35	46
YCT20046SS	200	4.45	50	46
YCT30046SS	300	4.45	76	46
YCT36046SS	370	4.45	102	46
YCT52046SS	520	4.45	156	46
YCT36079SS	368	7.96	102	114
YCT52079SS	500	7.96	150	114