

LAMP SPECIFICATIONS:	
Lumens total flux	<b>463 lm</b>
Lumens 120° flux	<b>410 lm</b>
Rated Wattage	6.7W
Rated luminous flux	410 lm
Nominal life time of the lamp	30,000 hrs
Colour temperature	3000K
Number of switching cycles before premature lamp failure	15,000
Warm-up time up to 60 % of the full light output	Instant full light
Dimmable	No
Lamp dimensions (L/W)	248 x 47.5mm
Nominal beam angle	120°
Rated power	6.7W
Rated lamp lifetime	30,000 hrs
Lamp power factor	>0.9
Lumen maintenance factor at end of nominal life	70%
Starting time	<0.5s
Colour rendering	≥80
Colour consistency	Within a six step Macadam ellipse
Rated peak intensity	170cd
Rated beam angle	120°
Not suitable for accent lighting	

**Eterna** LEDSH44

This luminaire contains built-in LED lamps.

}

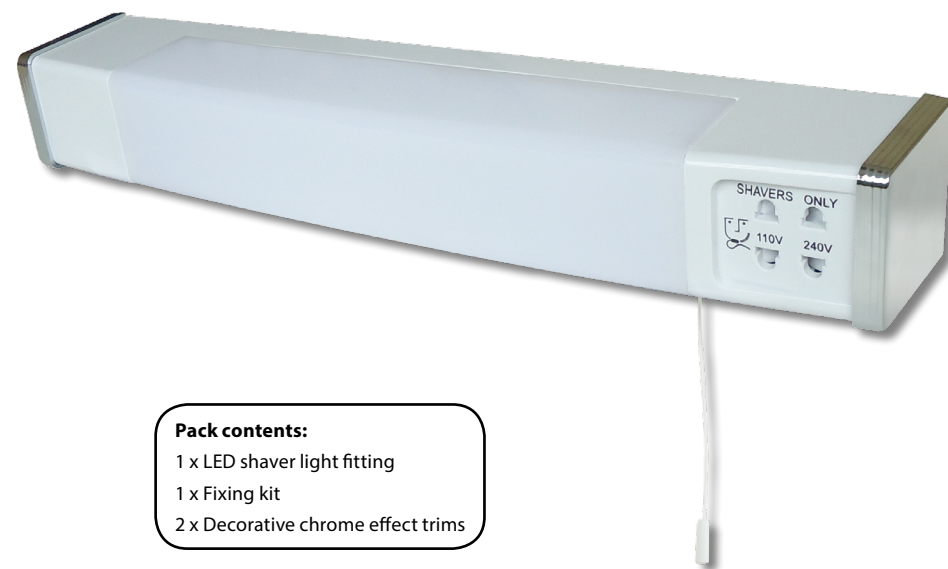
L  
E  
D

The lamps cannot be changed in the luminaire.

874/2012

## INSTALLATION INSTRUCTIONS

**A guide for qualified electricians**



**Pack contents:**

- 1 x LED shaver light fitting
- 1 x Fixing kit
- 2 x Decorative chrome effect trims

**EVENTUALLY, YOU MAY WANT TO REPLACE THIS PRODUCT:**

Regulations require the recycling of Waste from Electrical and Electronic Equipment (European "WEEE Directive" effective August 2005—UK WEEE Regulations effective 2nd January 2007). Environment Agency Registered Producer: WEE/ GA0248QZ.

WHEN YOUR PRODUCT COMES TO THE END OF ITS LIFE OR YOU CHOOSE TO REPLACE IT, PLEASE RECYCLE IT WHERE FACILITIES EXIST - DO NOT DISPOSE WITH HOUSEHOLD WASTE.

**IF YOU EXPERIENCE PROBLEMS:**

If you believe your product is defective, please return it to the place where you bought it. Our Technical Team will gladly advise on any Eterna Lighting product, but may not be able to give specific instructions regarding individual installations.



Model:  
**LEDSH44**

**LED Dual Voltage Shaver Light**

These instructions are provided as a guideline to assist you.

**PLEASE READ THESE INSTRUCTIONS BEFORE INSTALLATION AND RETAIN FOR FUTURE REFERENCE**

## READ THIS FIRST:

Check the pack and make sure you have all of the parts listed on the front of this booklet. If not, contact the outlet where you bought this product.

This product must be installed by a competent person in accordance with the current building and IEE wiring regulations.

As the buyer, installer and/or user of this product it is your own responsibility to ensure that this fitting is fit for the purpose for which you have intended it. Eterna Lighting cannot accept any liability for loss, damage or premature failure resulting from inappropriate use.

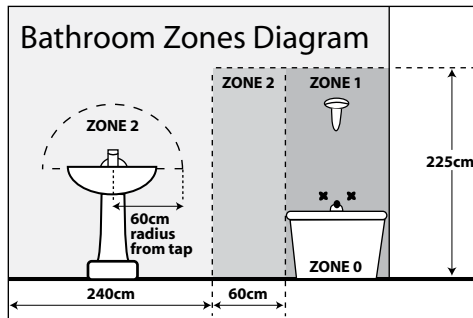
This product is designed and constructed according to the principles of the appropriate British Standard and is intended for normal domestic service. Using this fitting in any other environments may result in a shortened working life.

This product is designed and rated as a task light for intermittent usage; it is not suitable for continuous usage and should not be used as the sole light source in a room.

Switch off the mains before commencing installation and remove the appropriate circuit fuse or lock off MCB.

This unit is suitable for indoor use only.

This product is suitable for use in living areas, bathroom zone 2 and dry (outside) zones only (see diagram below and current IEE wiring regulations for details). It is not suitable for bathroom Zone 1 or other areas where contact with moisture is likely. If being fitted in a bathroom a 30mA RCD must be used.



This product is designed for permanent connection to fixed wiring: this must be a suitable circuit (protected with the appropriate MCB or fuse).

This product is suitable for installation on surfaces with normal flammability e.g. wood, plasterboard and masonry. It is not suitable for use on highly flammable surfaces (e.g. polystyrene, textiles).

Before making fixing hole(s), check that there are no obstructions hidden beneath the mounting surface such as pipes or cables.

When choosing the location for your new fitting, ensure that the fixings will be anchored in a solid surface e.g. concrete, brick or a joist - do not fix directly onto panelling, cladding, plasterboard etc.

This product must be connected to earth termination.

This product is not intended to be used by children and persons with sensory, physical and/or mental impairments that would prevent them from using it safely.

You are advised at every stage of your installation to double-check any electrical connections you have made. After you have completed your installation there are electrical tests that should be carried out, these tests are specified in the current IEE wiring and building regulations.

## LAMP REPLACEMENT:

The light source contained in this luminaire shall only be replaced by the manufacturer, service agent or a similar qualified person.

**CAUTION, RISK OF ELECTRIC SHOCK.**




## CLEANING:

Clean this product only with a soft dry cloth.

The shade may be removed and washed in a mild detergent solution. Turn off power before removing the shade and make sure the shade is completely dry before putting it back on your light fitting.

Do not use any chemical or abrasive cleaners.

## INSTALLATION:

01. Remove the diffuser by inserting a coin in the slot and levering off (see Fig. 1).
02. Remove LED board by removing screws.
03. Place the shaverlight in the desired location and use as a template to mark the fixing points.
04. If fixing directly to the wall, drill holes and use wall plugs provided. If the fixings supplied are not suitable for your application use appropriate alternatives.
05. Remove the screw securing the terminal block cover of the fitting.
06. Make a small hole in the cable entry grommet and thread the supply cable through the hole.
07. Make connections to the fitting:
  - a) Brown wire (live) to terminal marked L.
  - b) Blue wire (neutral) to terminal marked N.
  - c) Green / yellow wire (earth) to terminal marked: 
08. Replace the cover and tighten the screw.
09. Secure the fitting in place using the fixing screws.
10. Re-attach LED board and replace the diffuser.
11. Fit the decorative trims (if required) by sliding down the grooves at the end of the fitting and click in place (see Fig. 2).
12. Restore power and switch on.

## NOTE:

The shaver socket supplied with this unit is designed for standard shaver plugs and may not be suitable for other devices i.e. electric toothbrushes

