



Product designation Auxiliary contact  
Product type designation 11BGX10

**Contact characteristics**

Number of poles	Nr.	2
Rated insulation voltage $U_i$ IEC/EN	V	690
Rated impulse withstand voltage $U_{imp}$	kV	6
IEC Conventional free air thermal current $I_{th}$	A	10
Tightening torque for terminals	min	Nm 0.8
	max	Nm 1
	min	lbin 9
	max	lbin 9

Tightening torque for coil terminal	min	lbin 9
	max	lbin 9

Max number of wires simultaneously connectable	Nr.	2
--	-----	---

Conductor section	AWG/Kcmil	
	max	12
Flexible w/o lug conductor section	min	mm <sup>2</sup> 0.75
	max	mm <sup>2</sup> 2.5
Flexible c/w lug conductor section	min	mm <sup>2</sup> 0.75
	max	mm <sup>2</sup> 2.5
Flexible with insulated spade lug conductor section	min	mm <sup>2</sup> 0.75
	max	mm <sup>2</sup> 2.5

**Mechanical features**

Operating position	normal	On vertical plane
	allowable	Any

Fixing	Front centre mounting
--------	-----------------------

Weight	g 21
--------	------

Terminals screw	Screw
-----------------	-------

Conductor section	AWG/kcmil conductor section	
	max	12
IEC	max	mm <sup>2</sup> 1 or 2 x 2.5

**Auxiliary contact characteristics**

Type of contact	2NC
-----------------	-----

Thermal current $I_{th}$	A 10
--------------------------	------

IEC/EN 60947-5-1 designation	A600 - Q600
------------------------------	-------------

Operating current AC15

230V	A	3
400V	A	1.9
500V	A	1.4

Operating current DC13

24V	A	3
48V	A	1.5
60V	A	1.2
110V	A	0.6
125V	A	0.55
220V	A	0.27
600V	A	0.1

Electrical characteristics

Conductivity 5V 10 mA

UL/CSA and IEC/EN 60947-5-1 designation A600 Q600

Operating current AC15

120V	A	6
240V	A	3
480V	A	1.5
600V	A	1.2

Operating current DC13

12V	A	10
250V	A	0.27
440V	A	0.15
500V	A	0.13

Ambient conditions

Temperature

Operating temperature

min	°C	-50
max	°C	+70

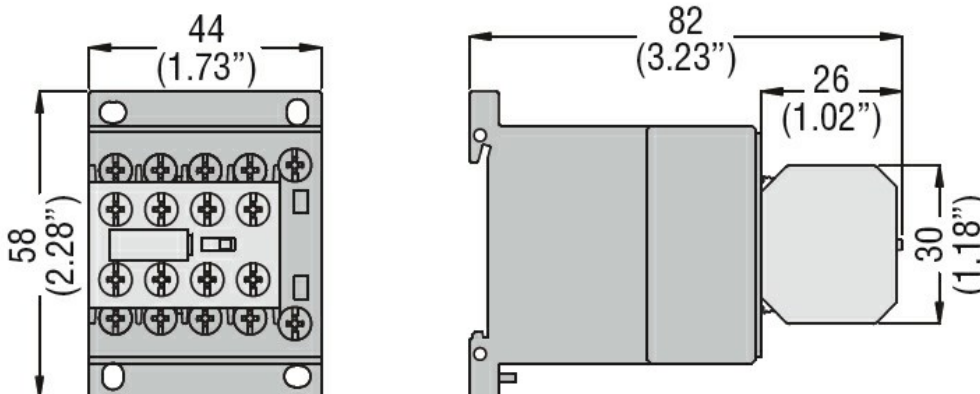
Storage temperature

min	°C	-60
max	°C	+80

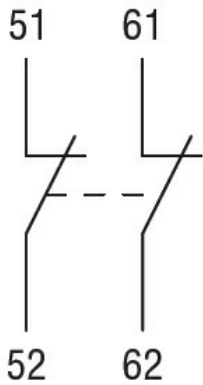
Max altitude

m 3000

Dimensions



Wiring diagrams



### Certifications and compliance

#### Compliance

CSA C22.2 n° 60947-1

CSA C22.2 n° 60947-5-1

IEC/EN 60947-1

IEC/EN 60947-5-1

UL 60947-1

UL 60947-5-1

#### Certificates

CCC

cULus

EAC

### ETIM classification

ETIM 8.0

EC000041 -  
Auxiliary contact  
block