



Auxiliary contact
11BGX10

Product designation

Product type designation

Contact characteristics

Number of poles	Nr.	4
Rated insulation voltage U_i IEC/EN	V	690
Rated impulse withstand voltage U_{imp}	kV	6
IEC Conventional free air thermal current I_{th}	A	10
Tightening torque for terminals	min	Nm 0.8
	max	Nm 1
	min	lbin 9
	max	lbin 9

Tightening torque for coil terminal	min	lbin 9
	max	lbin 9

Max number of wires simultaneously connectable	Nr.	2
--	-----	---

Conductor section	AWG/Kcmil	
	max	12
Flexible w/o lug conductor section	min	mm ² 0.75
	max	mm ² 2.5
Flexible c/w lug conductor section	min	mm ² 0.75
	max	mm ² 2.5
Flexible with insulated spade lug conductor section	min	mm ² 0.75
	max	mm ² 2.5

Mechanical features

Operating position	normal	On vertical plane
	allowable	Any

Fixing	Front centre mounting
--------	-----------------------

Weight	g	28
--------	---	----

Terminals screw	Screw
-----------------	-------

Conductor section	AWG/kcmil conductor section	
	max	12
IEC	max	mm ² 1 or 2 x 2.5

Auxiliary contact characteristics

Type of contact	4NC
-----------------	-----

Thermal current I_{th}	A	10
--------------------------	---	----

IEC/EN 60947-5-1 designation	A600 - Q600
------------------------------	-------------

Operating current AC15

230V	A	3
400V	A	1.9
500V	A	1.4

Operating current DC13

24V	A	3
48V	A	1.5
60V	A	1.2
110V	A	0.6
125V	A	0.55
220V	A	0.27
600V	A	0.1

Electrical characteristics

Conductivity 5V 10 mA

UL/CSA and IEC/EN 60947-5-1 designation A600 Q600

Operating current AC15

120V	A	6
240V	A	3
480V	A	1.5
600V	A	1.2

Operating current DC13

12V	A	10
250V	A	0.27
440V	A	0.15
500V	A	0.13

Ambient conditions

Temperature

Operating temperature

min	°C	-50
max	°C	+70

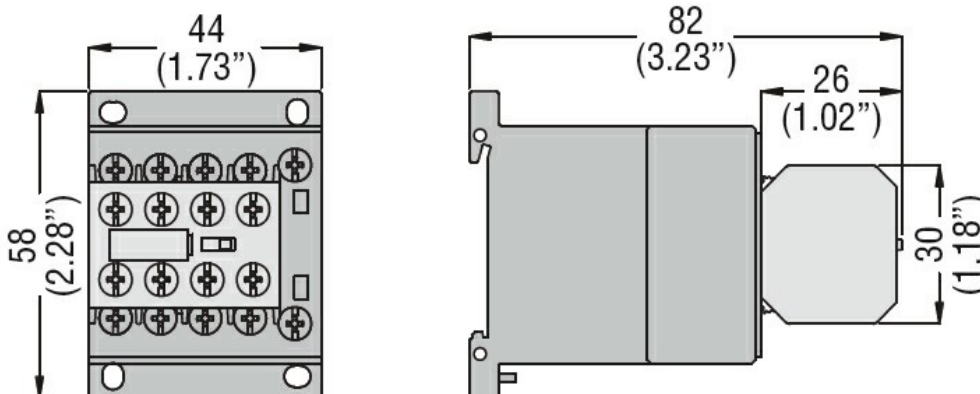
Storage temperature

min	°C	-60
max	°C	+80

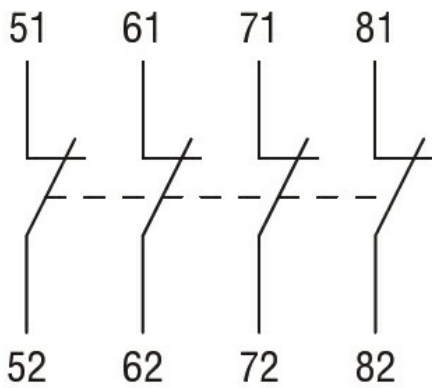
Max altitude

m 3000

Dimensions



Wiring diagrams



Certifications and compliance

Compliance

CSA C22.2 n° 60947-1

CSA C22.2 n° 60947-5-1

IEC/EN 60947-1

IEC/EN 60947-5-1

UL 60947-1

UL 60947-5-1

Certificates

CCC

cULus

EAC

ETIM classification

ETIM 8.0

EC000041 -
Auxiliary contact
block