

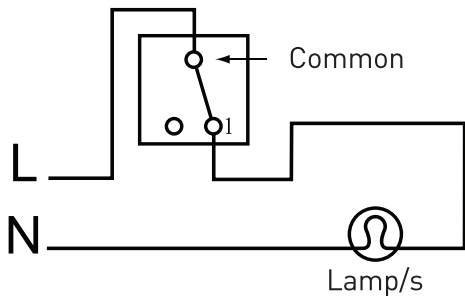
## Metal Clad - 10A plate switches

These instructions should be read carefully and retained after installation for further reference and maintenance.

### SAFETY

- Before installation/maintenance, ensure that the mains supply is switched off and the circuit fuses are removed or circuit breakers switched off
- This product must be installed in accordance with the latest edition of the IEE Wiring Regulations and current Building Regulations. If in any doubt, consult a qualified electrician
- 230V 50Hz
- Do not overload this accessory or subject it to conditions outside its rating
- Please recycle

### ONE-WAY SWITCHING AND BELL PUSH



### INSTALLATION

- Connect this accessory as per the relevant diagrams
- All Earth connections must be made and maintained. Use green/yellow sleeving on earth conductors that are not insulated
- Fit the unit into a suitable wall box taking care not to compress, damage or trap any cables, and secure with the screws provided
- Check all connections are secure

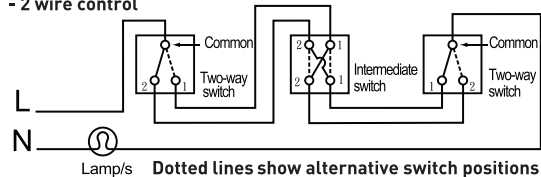
### WIRING

- **L - LIVE** = red or brown
- **N - NEUTRAL** = black or blue
- **(⊕) - EARTH** = green and yellow
- All Metal Clad products **MUST** have an earth connection between the front plate and back box

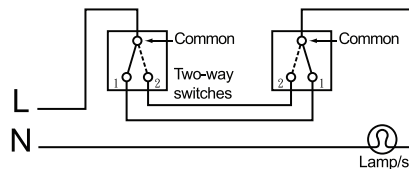
**IF IN ANY DOUBT PLEASE CONSULT A QUALIFIED ELECTRICIAN**

**SBSEP16V1**

### Two-way switching plus intermediate switching - 2 wire control

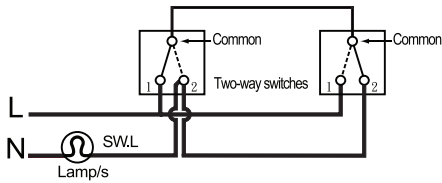


### Two-way switching - 2 wire control

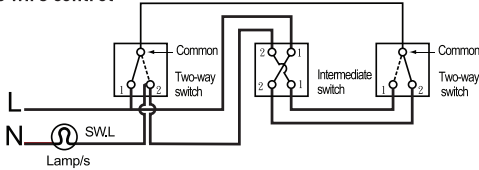


**Dotted lines show alternative switch positions**

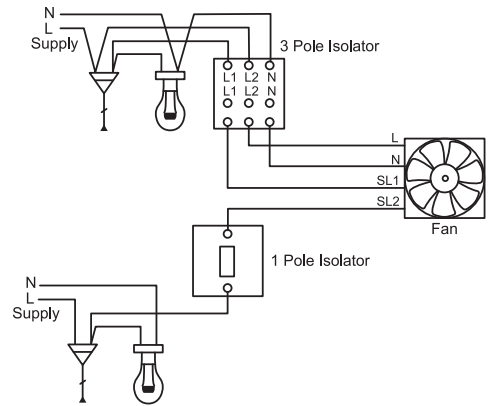
### Two-way switching - 3 wire control



### Two-way switching plus intermediate switching - 3 wire control



Dotted lines show alternative switch positions



NB. Terminal positions may alter.  
The above diagrams are to show wiring layout.

**Knightsbridge**<sup>®</sup>  
the mark of quality