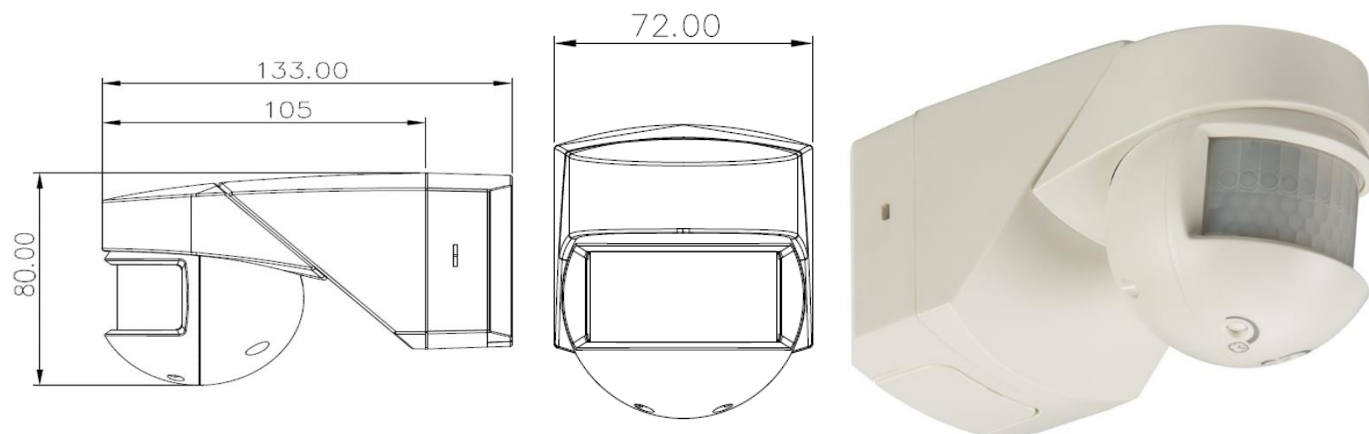


200° IP55 Outdoor Adjustable PIR Motion Sensor



MLA part code	OS001	OS001B
Description	PIR Sensor	
Finishes	White	Black
Overall dimensions (mm)	Height – 80 Width – 72 Projection - 133	
Net weight (kg)	0.202	
Input voltage (V)	Mains 230V 50Hz	
Maximum lamp wattage (W)	Incandescent - 2000W Fluorescent – 1000W LED – 225W	
Lux setting	2 – 2000 lux	
Time setting	3 – 30 minutes	
Detection range	12 meters @ 2.5m mounting height	
Detection angle	200°	
Head adjustment	90° left, 90° right, 50° downwards	
Manual override	Yes (auto reset after 6 hours)	
Insulation class	Class I - must be earthed	
IP rating	IP55	
Fixing method	Surface	
Origin of manufacture	China	
Construction	Polycarbonate	
Cable entry	Rubber grommet	
Electrical connections	20A screw terminals – 4 PIN quick connector: N, L, L1, Earth	
Certificate of conformity (held on file)	Yes	
Manufactured in accordance to	BSEN 60669-2-1, EN 55015, EN 61547, EN 61000	
Warranty	1 Year	
EAN	5055559191148	5055832906544

