

Commissioning

- Refit the shade and decorative bezel. Secure in place with the finials
- Replace fuse or circuit breaker and switch on. Your light is now ready for use.

Fitting/replacing bulbs

- The LED module in this product is non replaceable.

We recommend cleaning with a soft dry cloth.
Do not use solvents or abrasive cleaners as these could damage the finish.

Shade – Remove and wash in warm water or just use a damp cloth. Do not use abrasive materials as these will damage the finish.

Recycling advice



Waste electrical products should not be disposed of with household waste. Please recycle where facilities exist. Check with your Local Authority or retailer for recycling advice.

Safety information

For your safety, always switch off the power supply before changing lightbulbs, or cleaning.



This bulb is protected by a shade. This part must be replaced immediately should the shade become cracked or damaged. This fitting must not be used without the shade in place.

Instruction leaflet

Portico LED Flush

54675, 54676



Thank you for purchasing this light fitting. Please read the instructions carefully before use to ensure safe and satisfactory operation of this product. Please retain these instructions for future reference.

Warning

This is a Class 1 product and must be earthed.

Please read these instructions carefully before commencing any work.

This unit must be fitted by a competent and qualified electrician.

Install in accordance with IEE Wiring regulations and current Building Regulations.

To prevent electrocution switch off at mains supply before installing or maintaining this fitting. Ensure other persons cannot restore the electrical supply without your knowledge.

This light fitting should be connected to a fused circuit. If replacing an existing fitting, make a careful note of the connections.

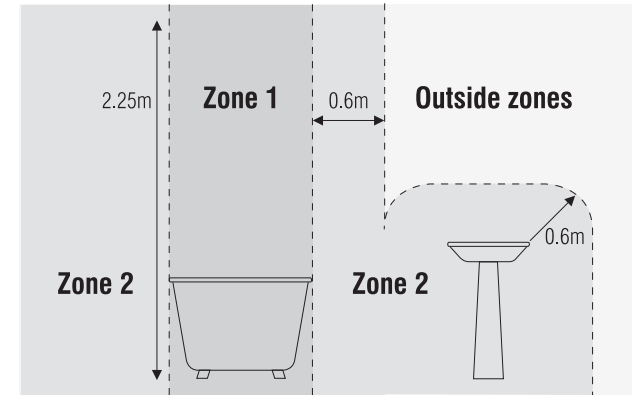
Waste electrical products should not be disposed of with household waste. Please recycle where facilities exist. Check with your local authority or retailer for recycling advice.

Specification

Voltage: 240V 50Hz a.c.
Lamp: 9W LED module, 4000K
IP rating: 44

Layout

- Plan the desired layout of this fitting carefully, ensuring the cables will reach the distance between the junction box and the light fitting.
- Avoid locating any cables in positions that would cause a hazard. Position cables and junction boxes (not supplied) away from areas where they may be at risk from being cut, trapped or damaged.
- The mains supply cable must have a minimum cross sectional area of 1.0mm².
- This product has special protection against the ingress of moisture and is IP44 rated.



This product is suitable for use in Zone 1 and Zone 2 and outside Zones in a bathroom. See diagram. If this unit is being fitted in Zone 1 a 30mA RCD must be used - in accordance with IEE regulations.

Installation

Existing fittings must be completely removed before installation of a new product. Before removing the existing fitting, **carefully note the position of each set of wires.**

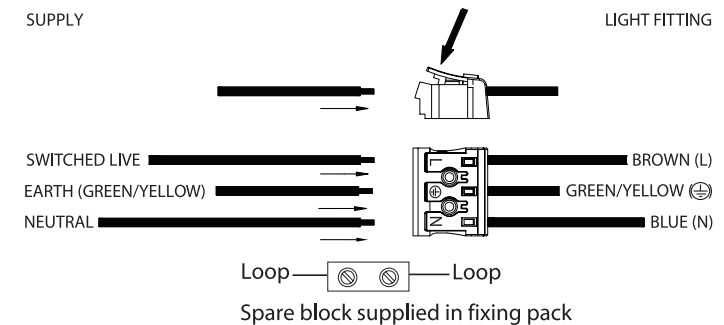
- Unscrew the finials and remove the decorative bezel and shade.
- Carefully pierce a small hole in the rubber grommet in the back plate to allow the cable to pass through.
- Ensure the ceiling is capable of holding the weight of

the product. Take care to avoid damaging any concealed wiring and pipes. The correct fixings should be used. Ensure there is a joist at the point of fixing to support the weight of the product.

- Thread the cable through the grommet and wire as detailed below.
- Thread the cable through the grommet and wire as detailed below.

Wiring

Having correctly identified the wiring from your existing light fitting, connect to the block inside the product in the following way:



Check that...

- You have correctly identified the wires
- The connections are tight
- No loose strands have been left out of the connection block.