

Eterna T8LED

This luminaire contains built-in LED lamps.

The lamps cannot be changed in the luminaire.

874/2012

LAMP SPECIFICATIONS:	T8LED16	T8LED20	T8LED24
Lumens total flux	1280 lm	1600 lm	2100 lm
Rated Wattage	16W	20W	24W
Rated luminous flux	1280 lm	1600 lm	2100 lm
Nominal life time of the lamp	20,000 hrs	20,000 hrs	20,000 hrs
Colour temperature	4000K	4000K	4000K
Number of switching cycles before premature lamp failure	≥15,000	≥15,000	≥15,000
Warm-up time up to 60 % of the full light output	Instant full light	Instant full light	Instant full light
Dimmable	No	No	No
Lamp dimensions (L)	900mm	1200mm	1500mm
Rated power	16W	20W	24W
Rated lamp lifetime	20,000 hrs	20,000 hrs	20,000 hrs
Lamp power factor	0.85	0.85	0.85
Lumen maintenance factor at end of nominal life	>70%	>70%	>70%
Starting time	Instant full light	Instant full light	Instant full light
Colour rendering	>80	>80	>80
Colour consistency	Within 6 step Macadam ellipse	Within 6 step Macadam ellipse	Within 6 step Macadam ellipse
Rated beam angle	180°	180°	180°
Voltage	240V	240V	240V



Email: sales@eterna-lighting.co.uk / technical@eterna-lighting.co.uk

Visit our website: www.eterna-lighting.co.uk

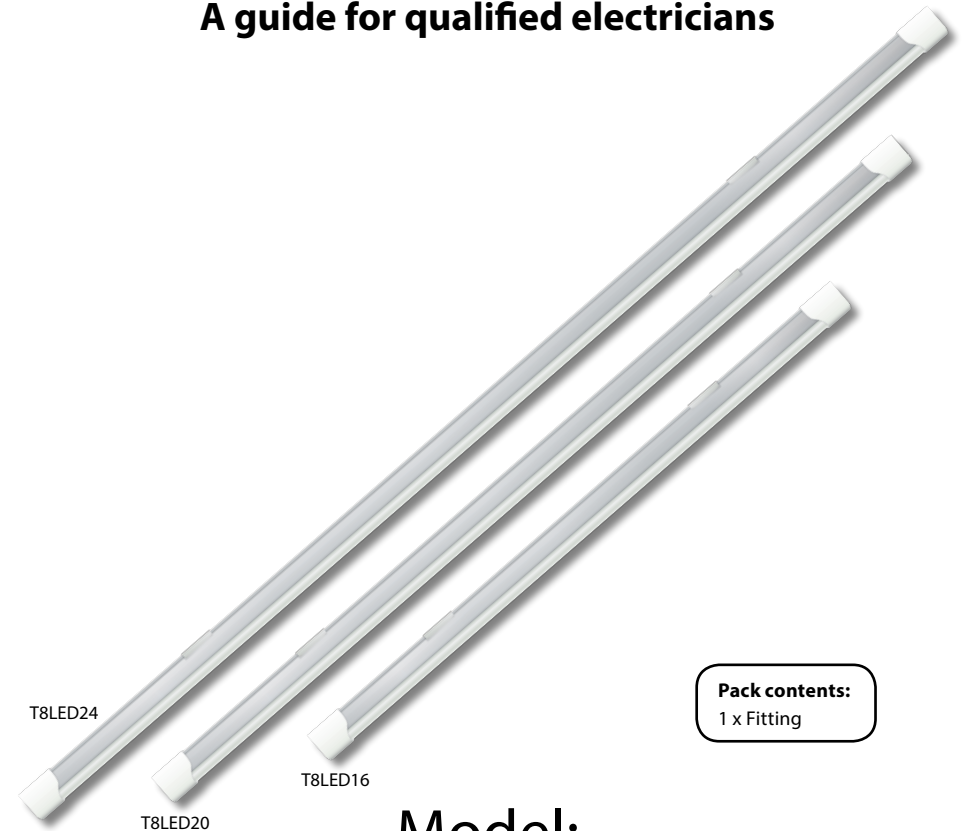
Made in China

Issue 1016



INSTALLATION INSTRUCTIONS

A guide for qualified electricians



Pack contents:
1 x Fitting

Model: T8LED16 / T8LED20 / T8LED24 LED Battens

These instructions are provided as a guideline to assist you.

**PLEASE READ THESE INSTRUCTIONS BEFORE INSTALLATION
AND RETAIN FOR FUTURE REFERENCE**

READ THIS FIRST:

Check the pack and make sure you have all of the parts listed on the front of this booklet. If not, contact the outlet where you bought this product.

This product must be installed by a competent person in accordance with the current building and IEE wiring regulations.

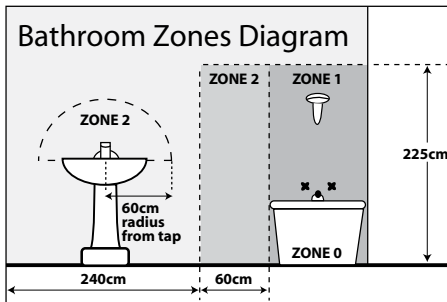
As the buyer, installer and/or user of this product it is your own responsibility to ensure that this fitting is fit for the purpose for which you have intended it. Eterna Lighting cannot accept any liability for loss, damage or premature failure resulting from inappropriate use.

This product is designed and constructed according to the principles of the appropriate British Standard and is intended for normal domestic service. Using this fitting in any other environments may result in a shortened working life, for example where there is prolonged periods of use or higher than normal ambient temperatures such as lighting public or shared spaces or in nursing/care home facilities.

Switch off the mains before commencing installation and remove the appropriate circuit fuse or lock off MCB.

This light fitting is suitable for indoor use only.

This product is suitable for use in living areas, and Bathroom dry (Outside) Zones only (see diagram below and current IEE Wiring Regulations for details). It is not suitable for Bathroom Zones 0, 1, 2, or other areas where contact with moisture is likely. If being fitted in a bathroom a 30mA RCD must be used.



This product is designed for permanent connection to fixed wiring: this must be a suitable circuit (protected with the appropriate MCB or fuse).

This product is suitable for installation on surfaces with normal flammability e.g. wood, plasterboard and masonry. It is not suitable for use on highly flammable surfaces (e.g. polystyrene, textiles).

Before making fixing hole(s), check that there are no obstructions hidden beneath the mounting surface such as pipes or cables.

The chosen location of your new fitting should allow for the product to be securely mounted (e.g. to a ceiling joist) and safely connected to the mains supply (lighting circuit).

Do not attach to surfaces which are damp, freshly painted or otherwise electrically conductive (e.g. metallic surfaces).

When making connections ensure that the terminals are tightened securely and that no strands of wire protrude. Check that the terminals are tightened onto the bared conductors and not onto any insulation.

This product is double-insulated. **DO NOT CONNECT ANY PART TO EARTH.**

This product is not intended to be used by children and persons with sensory, physical and/or mental impairments that would prevent them from using it safely.

You are advised at every stage of your installation to double-check any electrical connections you have made. After you have completed your installation there are electrical tests that should be carried out, these tests are specified in the current IEE wiring and building regulations.

INSTALLATION:

01. Mark the location of the fixing holes using the detachable fixing plates as a template.
02. If you are fixing to a solid wall, make fixing holes using an appropriate drill bit and attach in place.
03. Connect LIVE and NEUTRAL to the covered terminal block and secure the fitting to the wall.
04. Restore the power supply and switch on.

LAMP REPLACEMENT:

The light source of this luminaire is not replaceable; when the light source reaches its end of life the whole luminaire shall be replaced.

EVENTUALLY, YOU MAY WANT TO REPLACE THIS PRODUCT:

Regulations require the recycling of Waste from Electrical and Electronic Equipment (European "WEEE Directive" effective August 2005—UK WEEE Regulations effective 2nd January 2007). Environment Agency Registered Producer: WEE/ GA0248QZ.

WHEN YOUR PRODUCT COMES TO THE END OF ITS LIFE OR YOU CHOOSE TO REPLACE IT, PLEASE RECYCLE IT WHERE FACILITIES EXIST - DO NOT DISPOSE WITH HOUSEHOLD WASTE.

CLEANING:

Clean this fitting only with a soft dry cloth.

Do not use any chemical or abrasive cleaners.

IF YOU EXPERIENCE PROBLEMS:

If you believe your product is defective, please return it to the place where you bought it. Our Technical Team will gladly advise on any Eterna Lighting product, but may not be able to give specific instructions regarding individual installations.