



# Quick Disconnects

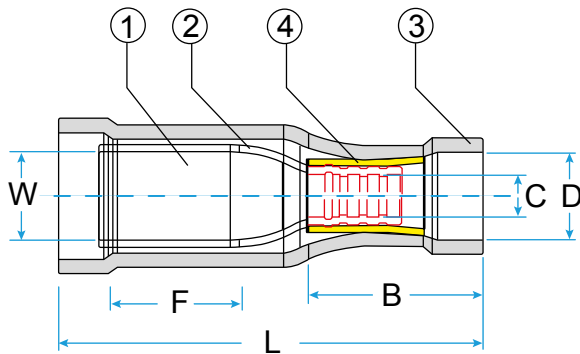
## Bullet Female Quick Disconnects

- Materials:  
Conductor: Brass  
Sleeve: Copper tubular  
Insulation: Vinyl  
Plating: Tin
- Operating Temperature:  
-10°C to +75°C
- Max. voltage rating: 300V
- Flared barrel for easy wire insertion
- Low insertion force and easy crimping whilst ensuring secure termination

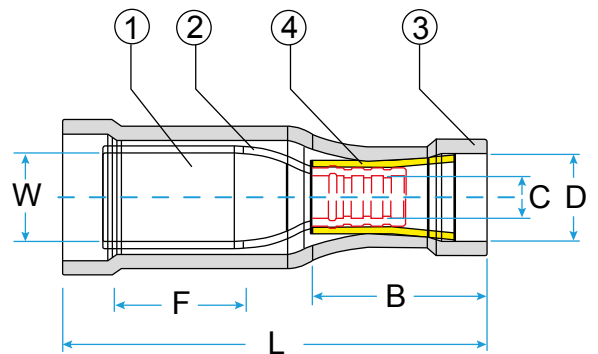


Max. Current Rating	
Red	10A
Blue	15A
Yellow	24A

Standard Internal Copper Sleeve



Long Internal Copper Sleeve



Material ① Brass ② Tin ③ Vinyl ④ Copper

Part No.	Colour	Wire Range (mm <sup>2</sup> )	Dimensions (mm)					
			B	C	D	W	L	F
YCRBUF40RE	Red	0.5-1.5	10.5	1.7	3.8	3.9	25.5	7.3
YCRBUF50BL	Blue	1.5-2.5	10.5	2.3	4.7	4.9	25.5	8.5
YCRBUF50YE	Yellow	4.0-6.0	13.7	3.4	6.2	4.9	28.0	8.5