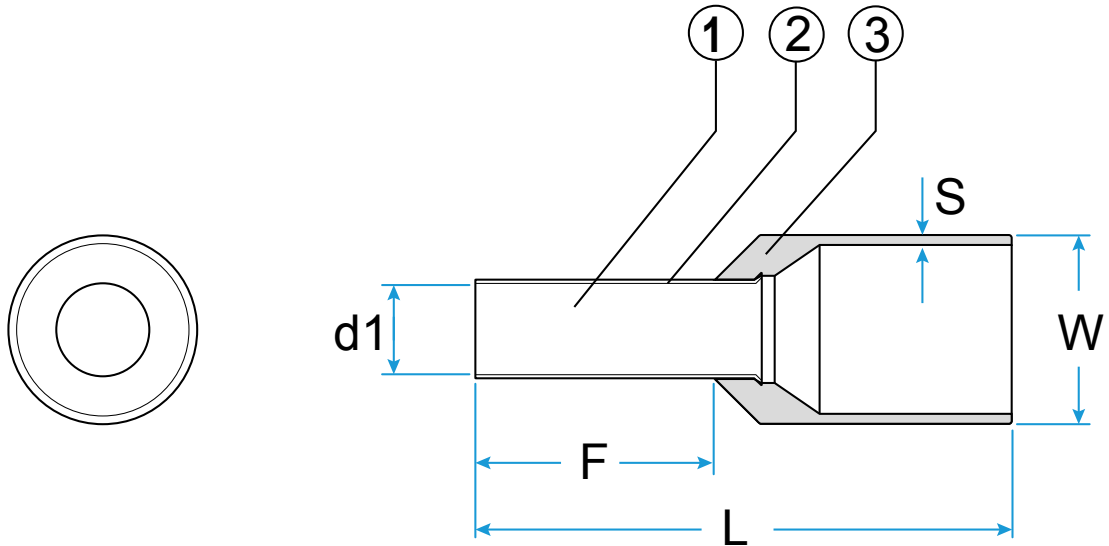




Cable Terminals

Cord End Terminals

- Materials:
Conductor: Copper
Insulation: Nylon
Plating: Tin
- Operating Temperature:
-40°C to +105°C
- Max. voltage rating: 600V
- Flared barrel for easy wire insertion



Material ① Copper ② Tin ③ Nylon

Part No.	Colour	Wire Range (mm ²)	Dimensions (mm)				
			d1	W	L	F	S
YE0.75BL	Blue	0.75	1.2	2.8	14.0	8.0	0.3
YE2.5BL	Blue	2.52.3	2.3	4.2	15.0	8.0	0.3
YE1RE	Red	1.0	1.4	3.0	16.0	8.0	0.3
YE1.5RE	Red	1.5	1.7	3.5	14.0	8.0	0.3
YE10IV	Ivory	10.0	4.5	7.4	22.0	12.0	0.5