

# eris Data Sheet

## 315-400A 3 Pole + Switch Neutral Enclosed Switch Fuse (IP65)

AC-23@400V(415V)

ERSMSF3153PN + ERSMSF4003PN

### Important Safety Notice

It is the responsibility of the person installing the electrical equipment to ensure that the installation meets the requirements of the IET wiring regulations and is therefore 'fit for purpose'. Factors such as correct selection of components, cable sizing, protective devices and Earth bonding are all critical and should be checked prior to full testing and power-up. Any other regulations applicable to the equipment being installed such as the Machinery Directive and current health and safety legislation must also be adhered to. Terminals, including factory fitted, should be checked periodically to ensure correct tightness.

**DO NOT USE POWER TOOLS ON THESE PRODUCTS**



KEMA Certified  EN 60947-1 & 3 Compliant  IP65



| Data  | Range | Units           | ERSMSF3153PN | ERSMSF400PN |
|---|-------|-----------------|--------------|-------------|
| BS88 Fuse size  | -     | -               | B1-B3        | B1-B4       |
| Rated thermal current $I_{th}$ at 40°C                        | Amps  | A               | 315          | 400         |
| Rated insulation voltage $U_i$                                | Volts | V               | 1000         | 1000        |
| Rated dielectric strength                                     | Volts | kV              | 8            | 8           |
| Rated impulse voltage $U_{imp}$                               | Volts | kV              | 12           | 12          |
| Rated operational current $I_e$ at 400V AC-22                 | Amps  | A               | 315          | 400         |
| Rated operational current $I_e$ at 400V AC-23                 | Amps  | A               | 315          | 400         |
| Rated operational power $P_e$ at 400V AC-23                   | Watts | kW              | 160          | 220         |
| Rated breaking capacity                                       | Amps  | A               | 2600         | 3200        |
| Rated making capacity   | Amps  | A               | 3150         | 4000        |
| Rated short circuit making current (rms) with fuses fitted    | Amps  | kA              | 80           | 80          |
| Rated short circuit withstand current (rms) with fuses fitted | Amps  | kA              | 80           | 80          |
| Minimum number of mechanical operations                       | -     | Cycles          | 10,000       | 10,000      |
| Minimum number of electrical operations @ 400V AC-23          | -     | Cycles          | 1,000        | 1,000       |
| Terminal Capacity (rigid copper cable)                        | -     | mm <sup>2</sup> | 240          | 240         |
| Lug bolt size   | -     | -               | M10          | M10         |
| Maximum size of busbar connection                             | -     | mm              | 6x40         | 6x40        |
| Tightening torque   | -     | Nm              | 24           | 24          |

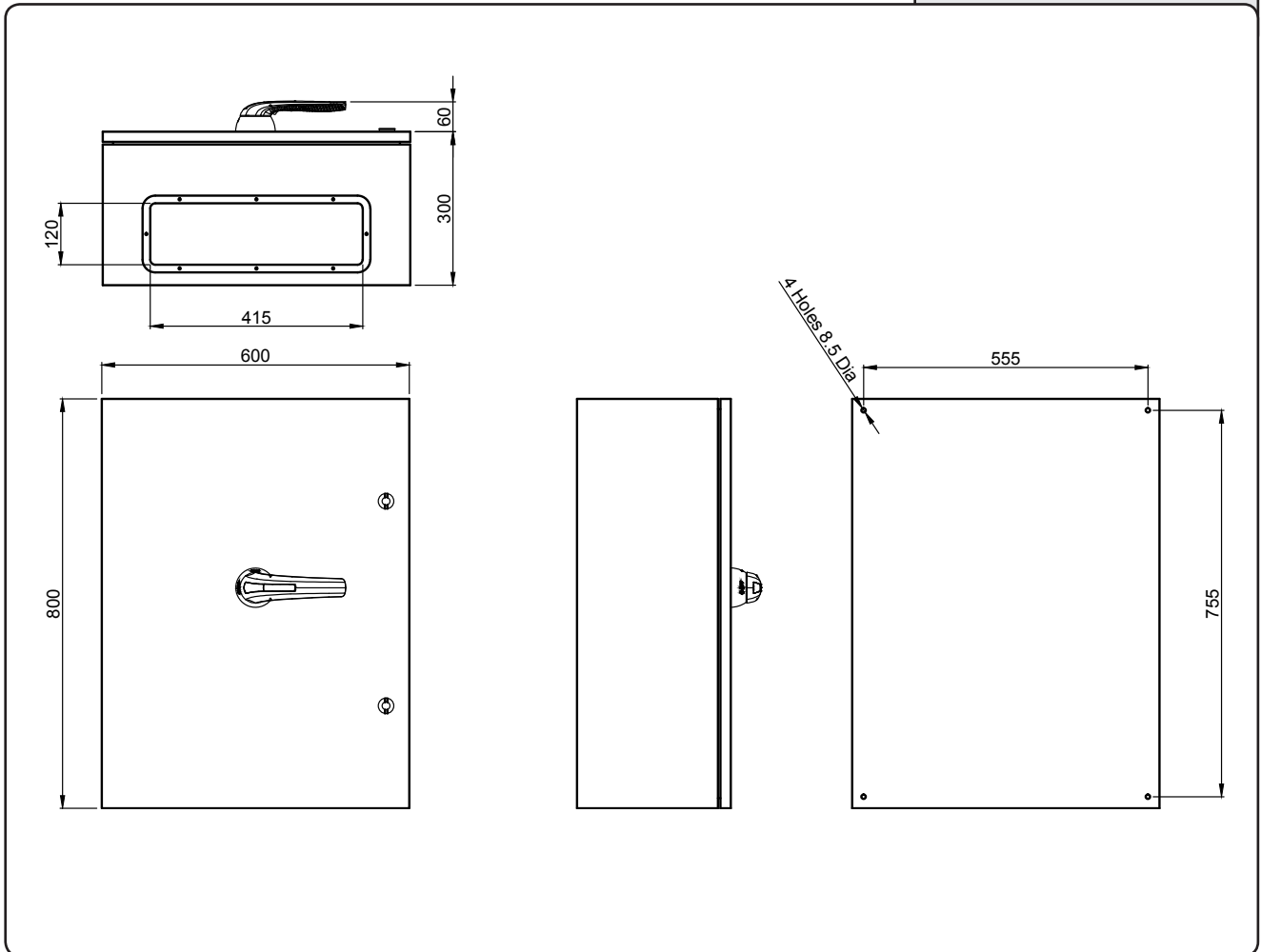
# eris Data Sheet

**315-400A 3 Pole + Switch Neutral Enclosed Switch Fuse (IP65)**

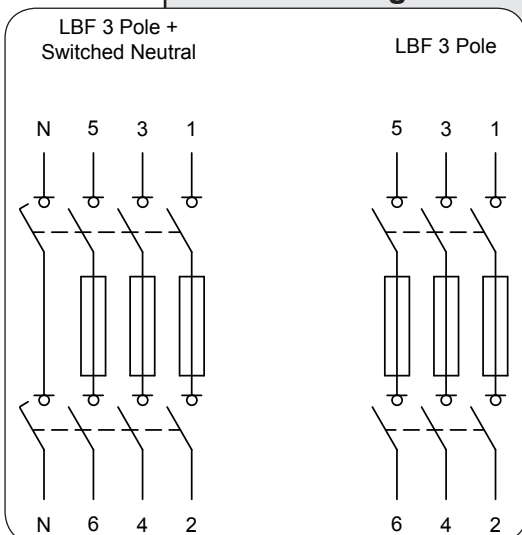
**AC-23@400V(415V)**

**ERSMSF3153PN + ERSMSF4003PN**

## Enclosure Dimensions

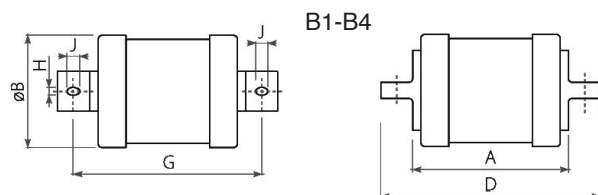


## Terminal Configuration



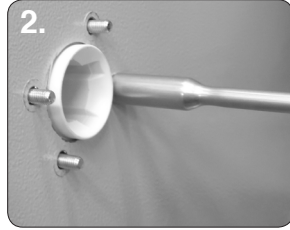
## Maximum BS88 Fuse Size

|       | A   | B $\varnothing$ | D   | G   | H   | J   |
|-------|-----|-----------------|-----|-----|-----|-----|
| Fuses | Max | Max             | Max | Nom | Nom | Min |
| B1    | 70  | 37              | 138 | 111 | 8,7 | 11  |
| B2    | 77  | 42              |     |     |     |     |
| B3    |     |                 |     |     |     |     |
| B4    | 83  | 66              |     |     |     |     |



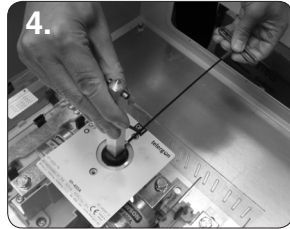
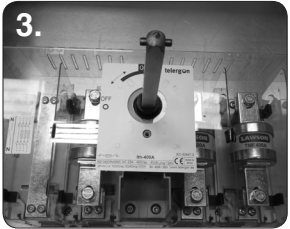
# eris Data Sheet

## 315-400A 3 Pole + Switch Neutral Enclosed Switch Fuse (IP65) AC-23@400V(415V) ERSMSF3153PN + ERSMSF4003PN



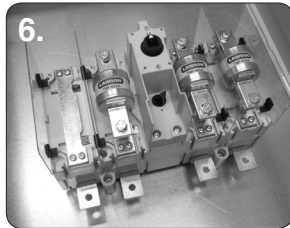
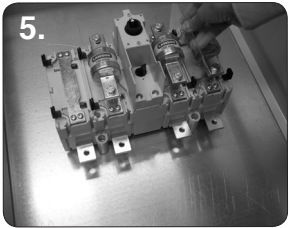
### Handle Assembly:

1. Ensure that the handle is in the off position and locate the handle on to the door with the handle showing the off position at 9 o'clock
2. Tighten the four M5 flange nuts to 1.5Nm



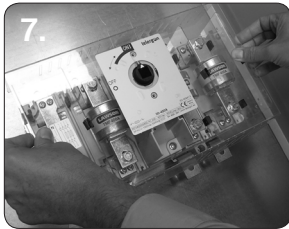
### Shaft Assembly:

3. Ensure that the switch is in the off position and fully insert the shaft into the switch with the cross pin in a horizontal position
4. Tighten the M5 shaft grub screw to 1.2Nm using a 2.5mm A/F allen key

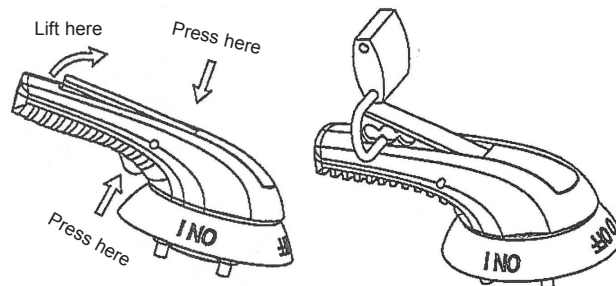


### Fuse Shroud Assembly: (160-800A SWITCH FUSE ONLY)

- 5/6. Install the four upright shrouds into the corresponding clips
7. Install fuse shroud into the corresponding clips



### Padlock Operation:



### Door Interlock Defeat Mechanism (For Authorised Personnel Only):

#### **⚠ WARNING! ACCESS TO LIVE PARTS**

- Ensure that the door is closed and the handle is in the on position
- Locate the hole on the right side of the handle, then push and hold a small pin into the hole to activate the defeat mechanism
- The door can now be opened in the on position. Remove pin and close the door to reset the mechanism

