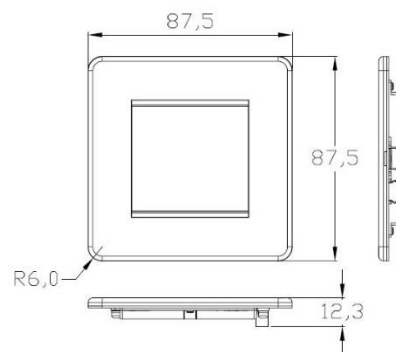


DATASHEET



SF2Gxx

Screwless 2G Modular Faceplate

www.mlaccessories.co.uk

MLA PART CODE	SF2GAT	SF2GBC	SF2GBN	SF2GMB	SF2GMW	SF2GPB	SF2GPC	SF2GSB
DESCRIPTION	Screwless 2G Modular Faceplate							
FINISH	Anthracite	Brushed Chrome	Black Nickel	Matt Black	Matt White	Polished Brass	Polished Chrome	Smoked Bronze
NETT WEIGHT (KG)	0.097							
DIMENSIONS (MM)	Height – 87.5 Width – 87.5 Projection – 4.3							
CONSTRUCTION	Premium grade steel							
CLASS	Class I							
IP RATING	IP20							
WARRANTY	15 years							
ORIGIN OF MANUFACTURE	China							
DECLARATION OF CONFORMITY (HELD ON FILE)	Yes							
MANUFACTURED IN ACCORDANCE WITH	BS 5733							
EAN	5056270818871	5055832935391	5055832935483	5055832935667	5055832949855	5055832935759	5055832935575	5056270820232

DCDEC20_V3