

## MANUAL OVERRIDE

When the 'push' terminal is connected to a 230 volt AC supply via a push switch, the following override functions are available.

1. Short push (less than 1 second) manual override on/off. On to Off: the lamp turns off immediately and cannot be turned back on for 1 minute, even if movement is detected. After this period the sensor goes back into auto sensor mode. Off to On, the lamp turns on to 100% brightness and goes into sensor mode.
2. Long push (greater than 1 second). Dims up and down dimming level between 10% and 50% while button is held.

## TROUBLE SHOOTING

### Light not coming on

- Check that lamp is good.
- Check there is nothing obscuring the microwave sensor.

### Intermittent operation

- Check there are no curtains that can move in the wind.
- Check there are no heating vents nearby.

## TECHNICAL INFORMATION

Rated Voltage:	230V~50Hz
IP Rating:	IP20
Detection Angle:	360°
Ambient Light:	2 LUX, 10 LUX, 50 LUX, 2000 LUX (Choice)
Transmission Power:	<0.2mW
HF System:	5.8GHz CW radar, ISM Band
Hold Time:	5s, 30s, 1min, 5min, 10min, 20min, 30min (choice)
Stand-by Periods:	10s, 1min, 5min, 10min, 30min,+∞ OS (choice)
Rated Load:	Max 600W ;☉ Max 600W ⇔ /LED
Detection (Sensitivity) Range:	10%, 50%, 75%, 100% (choice)
Detection Distance:	Wall = 5-15M adj Ceiling = 1-8M (radius) adj
Power Consumption:	0.9W approx
Installation Height:	Wall = 1.5 - 3.5M Ceiling = 2 - 8M
Detection Moving Speed:	0.6 - 1.5m/s
Stand-by Dimming Level:	10%, 20%, 30%, 50% (choice)
Dimensions:	77.7 x 45 x 25.5mm
Conforms To:	BS EN60669

### NOTE:

#### Product & Packaging Disposal

When disposing of this item and its packaging please follow local regulations and use an appropriate waste disposal centre.

See GreenBrook website for further details.

### GUARANTEE

Your GreenBrook Microwave Presence Detector ODM203 is guaranteed for 1 year from the date of purchase. This is in addition to your statutory rights.

PLEASE KEEP THESE INSTRUCTIONS  
SAFE FOR FUTURE REFERENCE

**GREEN  
BROOK**  
ELECTRICAL  
WEST ROAD . HARLOW  
ESSEX . CM20 2BG . UK  
info@greenbrook.co.uk  
www.greenbrook.co.uk

Issue no: 706827

**GREEN  
BROOK**  
ELECTRICAL

'Orion Range'

**Infra-red Microwave Presence Detector - 1-10V Dimmable  
Model: ODM203**

## Important Safety Instructions

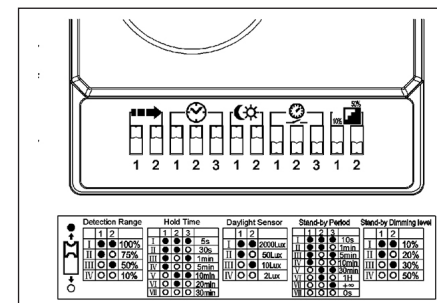
- Please read these instructions carefully before installation and keep safe for future reference.

### IMPORTANT

This product should be installed by a competent person and in accordance with the current IET Wiring Regulations and Building Regulations.

*If in doubt, consult a qualified electrician.*

- Always turn off the mains supply before commencing work.



Our range of PIR microwave presence detectors are designed to reduce the amount of time lighting is left on unnecessarily, for example if an area is unoccupied or if there is sufficient natural light.

A presence detector monitors the detection zone for occupancy, using radio waves in the microwave band (5.8 GHz) if a person is sensed then the detector will automatically turn the lighting on. When the area is vacated, the lighting will turn off after a preset time delay. Most of our microwave sensors have a built in light level (lux) sensor which will keep the lighting off if there is enough natural light available.

Controlling lighting with a presence detector can save up to 60% of lighting energy costs dependent on occupancy behaviour and the amount of natural light available; our microwave sensors can also be used to control heating and ventilation.

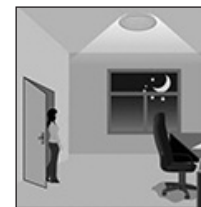
As this detector uses microwaves, detection is possible through plastic, glass and thin walls such as office partitions. It will not detect movement through brick, concrete or metal.

Our ODM203 is a multi-function detector, incorporating 1 - 10 volt dimming, adjustable dim levels, adjustable sensitivity, adjustable hold-on time and a variable manual over ride.

## INSTALLATION



With ambient light more than daylight threshold, the lamp does not switch on when someone enters the room.



With ambient light less than daylight threshold, the lamp will be on 100% when someone enters the room.



People left, light dims to 10%/20%/30%/50% (optional) stand-by level after hold time.

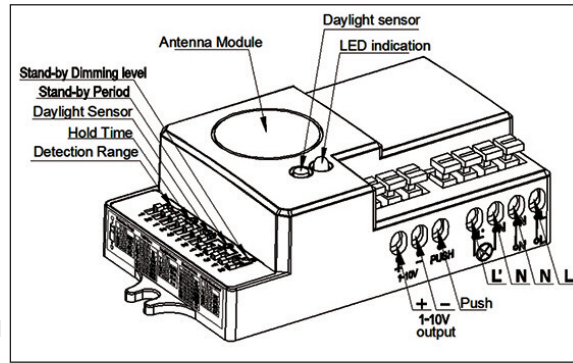


Light switches off automatically after the stand-by period elapsed.

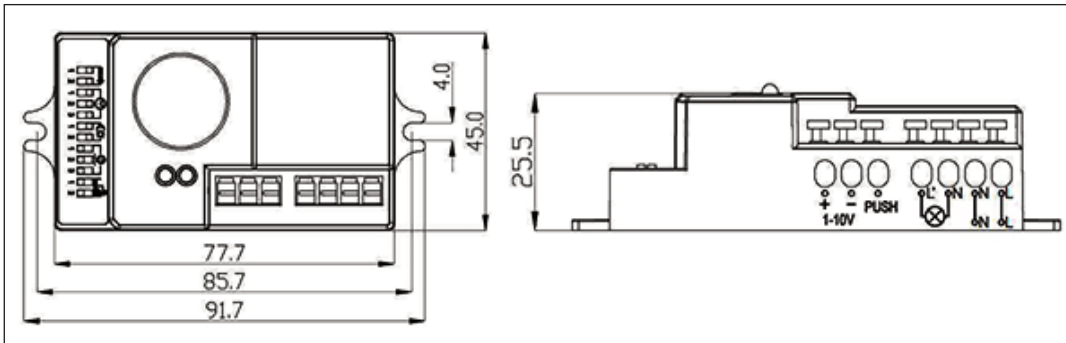


**Switch the mains supply OFF first to prevent electric shock.**

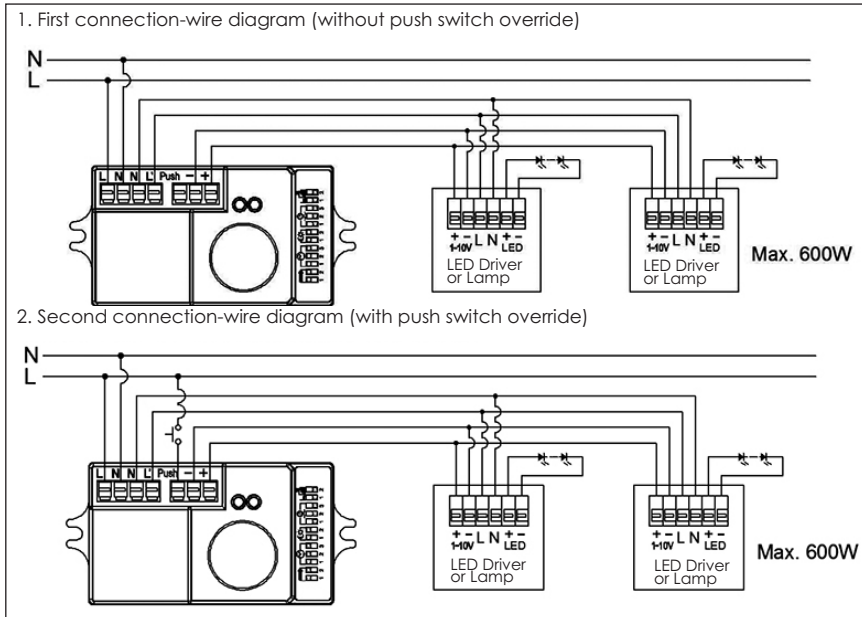
- Decide on mounting position of sensor in and screw into position using the two mounting lugs at either end. (ensure there is nowiring/gas/water services directly behind the screws) refer to Dia:1.



Dia:1



- Connect the mains in and load out wires according to Dia:1 and Dia:2.



Dia:2

**Note: Full dim functions only available when sensor used with a compatible 1 - 10V driver.**

**Note: Please refer to Data Sheet on the GreenBrook website - [www.greenbrook.co.uk](http://www.greenbrook.co.uk) for wiring sensor in parallel.**

**TESTING**

- Slide all 9 slide switches to the 'Up' ● position .
- Re-connect mains supply, allow 30 seconds for the sensor to warm-up, and then perform a walk-by in front of the sensor; lamp should turn on and stay on for approximately 5 seconds, and will go off if no further movement is detected.

**ADJUSTING THE DAYLIGHT SENSOR (LUX) CONTROL**



- Lux levels can be set between 2000 Lux (daylight) and 2 Lux (night), using a combination of slide switches, see Table 1.
- Set control to operate at your required daylight level.

Table:1

	1	2	
I	●	●	2000Lux
II	●	○	50Lux
III	○	●	10Lux
IV	○	○	2Lux

**ADJUSTING THE 'TIME HOLD-ON' CONTROL**



- Time control for lamp full brightness 'ON' can be adjusted between 5 seconds and 30 minutes, using a combination of slide switches, see Table 2.
- Set control to operate at your required time period.

Table:2

	1	2	3	
I	●	●	●	5s
II	●	●	○	30s
III	●	○	●	1min
IV	○	○	●	5min
V	○	●	●	10min
VI	○	●	○	20min
VII	○	○	○	30min

**ADJUSTING THE DETECTION RANGE (SENSITIVITY) CONTROL**



- Sensitivity can be adjusted between a detection cone of 1 meter (10%) and a detection cone of 8 meters (100%) using a combination of slide switches, see Table 3.
- Set control to operate at your required time period.

Table:3

	1	2	
I	●	●	100%
II	●	○	75%
III	○	●	50%
IV	○	○	10%

**ADJUSTING THE STAND-BY DIMMING LEVEL CONTROL**



Adjusts the brightness of the lamp in dimmed standby mode after 100% light level has timed out.

- Dimming light level can be set to between 10% and 50%, using a combination of slide switches, see Table 4.

Table:4

	1	2	
I	●	●	10%
II	●	○	20%
III	○	●	30%
IV	○	○	50%

**ADJUSTING THE 'DIMMED STAND BY PERIOD'**



Adjusts the length of time the lamp stays in dimmed mode.

- Standby dim period can be set between 10 seconds and 1 hour, using a combination of slide switches, see Table 5.
- '+' means lamp stays on standby dimming level and never turns off.
- '0s' means no dimming function.

Table:5

	1	2	3	
I	●	●	●	10s
II	●	●	○	1min
III	●	○	●	5min
IV	○	○	○	10min
V	○	○	●	30min
VI	○	○	○	1H
VII	○	○	○	+∞
VIII	○	○	○	0s