

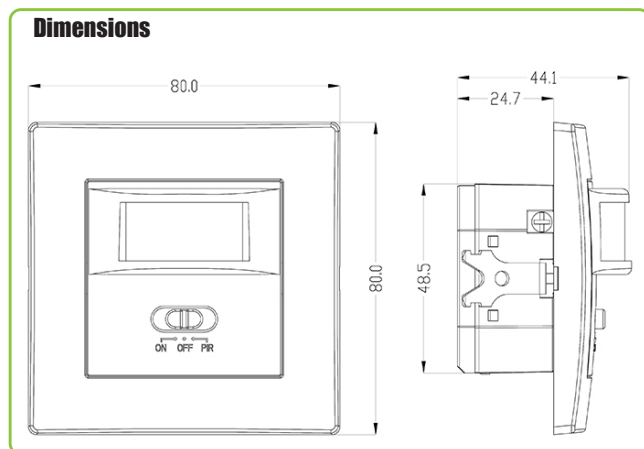
# Orion Range

## Infra-red Motion Sensor - Wall Switch



- + Suitable for LED & energy saving lamps
- + Detection range 160°
- + Adjustable time delay & ambient light
- + Built in replaceable fuse
- + PIR Motion sensor
- + No neutral required
- + Replaces existing light switch
- + Fits a standard 25mm back box
- + Suitable for wall mounting only

LEDs  
upto  
200W

This product uses an **Infra-Red heat detector**. The detector senses 'warmth movement' in the surrounding area when it is dark. When movement is detected the sensor is activated and triggers the connected load. It has a built in photo-cell that can identify day and night.



**Model: OD100 -  
Function Switch:**  
 'ON' = Permanently ON  
 'OFF' = Permanently OFF  
 'PIR' = PIR Control

	<b>OD100</b>
<b>Description</b>	Infra-red motion sensor wall switch
<b>Product Finish</b>	White
<b>Barcode</b>	5012739 642685
<b>Voltage</b>	230V AC ~ 50Hz
<b>IP Rating</b>	IP20
<b>Ambient Light</b>	<3-2,000 LUX (Adj)
<b>Rated Load</b>	0W - 500W  5W - 200W  / LED
<b>Time Delay</b>	Min 10 sec ± 3 sec Max 7 Min ± 2 min
<b>Detection Range</b>	160°
<b>Detection Distance</b>	9M max (<24°C)
<b>Working Temp</b>	-20° - +40°C
<b>Working Humidity</b>	<93%RH
<b>Power Consumption</b>	0.5W approx
<b>Installation Height</b>	1 - 1.8M
<b>Detection Moving Speed</b>	0.6 - 1.5m/s
<b>Fuse Type</b>	3A, 20mm x 5mm
<b>Dimensions</b>	80 x 80 x 44.1mm
<b>Guarantee</b>	1 Year
<b>Conforms To</b>	BS EN 61058-1

**Note:**  
 Suitable for wall mounting only  
 Not suitable for parallel connections.