

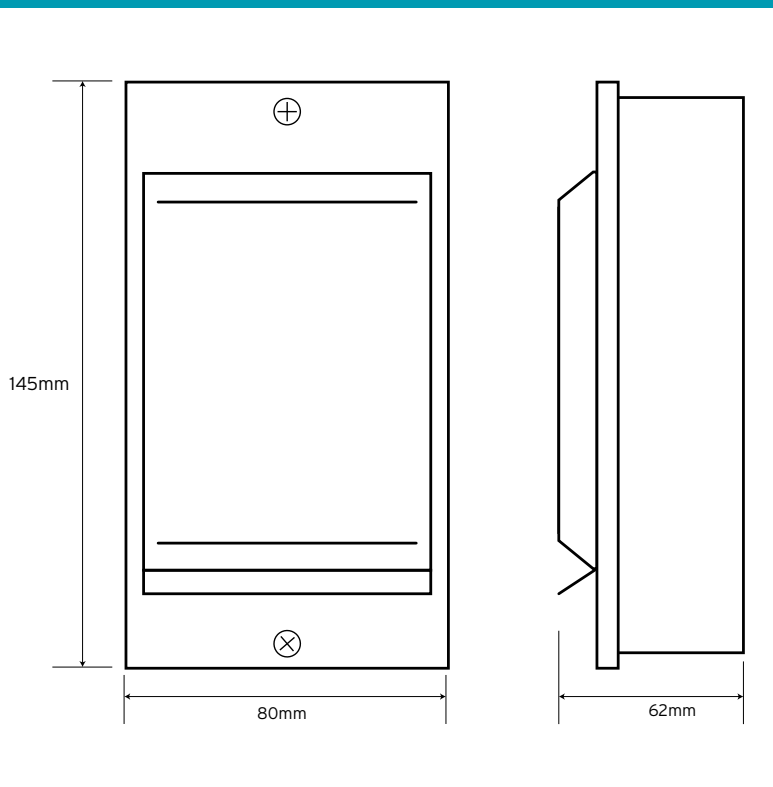
# niglon

## Circuit Protection



## EM3220 Modular Enclosures Metal Clad

### Technical Drawing



### Technical Specifications

<b>Material Composition</b>	Manufactured from painted steel
<b>Paint Colour</b>	RAL 9010
<b>Extras</b>	C/W Drop Lid
<b>Standards of Compliance</b>	BS EN 60898 & 61008 IP20 Amendment 3 Compliant
<b>Dimensions</b>	80mm W x 145mm H x 62mm D