



CorePro LEDbulb

CorePro LEDbulb ND 5.5-40W A60 B22 827

LEDbulbs are compatible with existing fixtures with an E27 holder and are designed for retrofit replacement of incandescent bulbs.

Product data

General Information	
Cap base	B22 [B22]
EU RoHS compliant	Yes
Nominal lifetime (nom.)	15000 h
Switching cycle	50,000X
Technical type	5.5-40W

Light Technical	
Colour Code	827 [CCT of 2,700 K]
Beam Angle (Nom)	200 °
Luminous flux (nom.)	470 lm
Colour designation	Warm white (WW)
Correlated Colour Temperature (Nom)	2700 K
Luminous efficacy (rated) (nom.)	85.00 lm/W
Colour consistency	<6
Colour rendering index (nom.)	80
LLMF at end of nominal lifetime (nom.)	70 %

Operating and Electrical	
Input frequency	50 to 60 Hz
Power (Rated) (Nom)	5.5 W
Lamp current (nom.)	55 mA
Wattage equivalent	40 W
Starting time (nom.)	0.5 s
Warm-up time to 60% light (nom.)	0.5 s

Power factor (nom.)	0.5
Voltage (Nom)	220-240 V

Temperature	
T-Case maximum (nom.)	75 °C

Controls and Dimming	
Dimmable	No

Mechanical and Housing	
Lamp Finish	Frosted
Bulb shape	A60 [A 60mm]

Approval and Application	
Energy efficiency label (EEL)	A+
Energy consumption kWh/1,000 hours	6 kWh

Product Data	
Full product code	871869657765300
Order product name	CorePro LEDbulb ND 5.5-40W A60 B22 827
EAN/UPC – product	8718696577653
Order code	57765300
SAP numerator – quantity per pack	1
Numerator – packs per outer box	10
SAP material	929001233802

CorePro LEDbulb

SAP net weight (piece) 0.076 kg

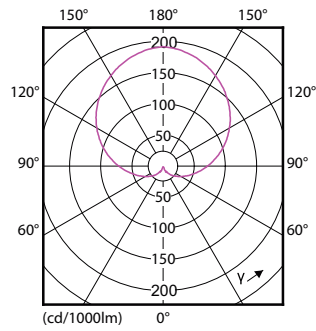
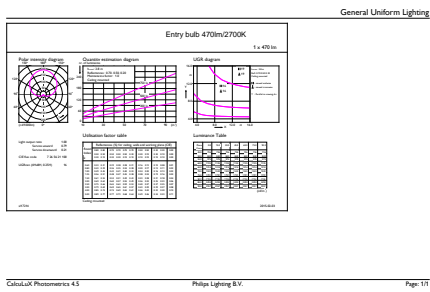
Dimensional drawing

D

Product	D	C
CorePro LEDbulb ND 5.5-40W A60 B22 827	60 mm	110 mm

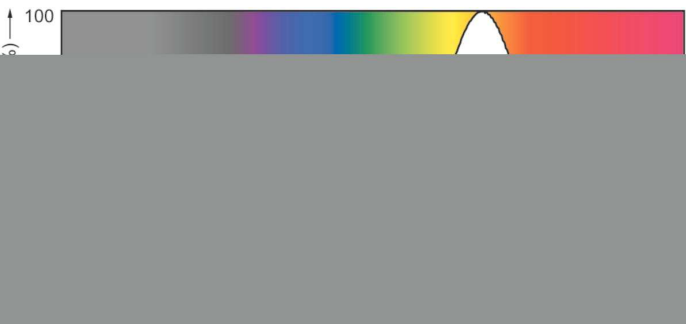
Entrybulb 230V 6W-40W 470lm 2700K B22 ND

Photometric data



CorePro LEDbulb ND 5.5-40W A60

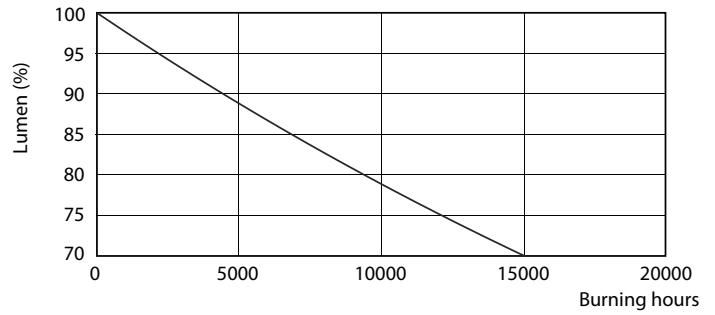
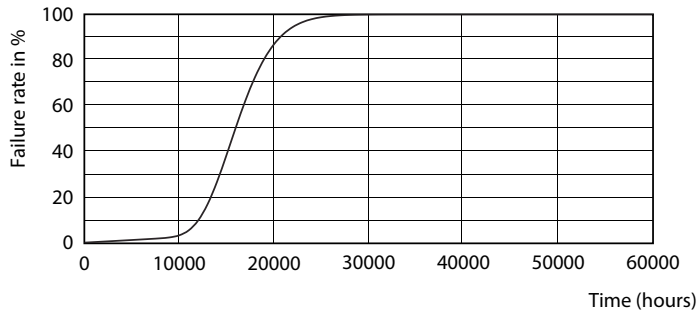
CorePro LEDbulb ND 5.5-40W A60



SDPO_LED Bulb_0021-Spectral Power distribution

CorePro LEDbulb

Lifetime



LEDbulb 40W E27 830 FR A60

LEDbulb 40W E27 830 FR A60

