



IP67 Industrial Surface Sockets 16A-32A

Specifications and Dimensions

It is the responsibility of the person installing the electrical equipment to ensure that the installation meets the requirements of the IET wiring regulations and is therefore 'fit for purpose'. Factors such as correct selection of components, cable sizing, protective devices and Earth bonding are all critical and should be checked prior to full testing and power-up. Any other regulations applicable to the equipment being installed such as the Machinery Directive and current health and safety legislation must also be adhered to. Terminals, including factory fitted, should be checked periodically to ensure correct tightness. **DO NOT USE POWER TOOLS ON THESE PRODUCTS.**

ERIS offers a comprehensive range of industrial plugs and sockets ranging from 16A to 125A to suit all environments and applications. All products are RoHS compliant and are produced strictly according to international standard IEC 60309-1, IEC 60309-2.

ERIS Plugs and sockets are manufactured to be used in a wide variety of industry from Petroleum and Chemical industry, quarry plants, airports, building sites, processing industry, water and sewerage plants, hotel, ports and mining.

The ERIS plugs and sockets are corrosion and impact resistant, IP rated – sealed against levels of dust and water ingress. Products have an operating temperature range of -25°C to 50°C.

All products have an operating voltage up to 690V AC in varying pin configurations and are also colour coded to identify operation voltage.

For any further comments or assistance please contact:

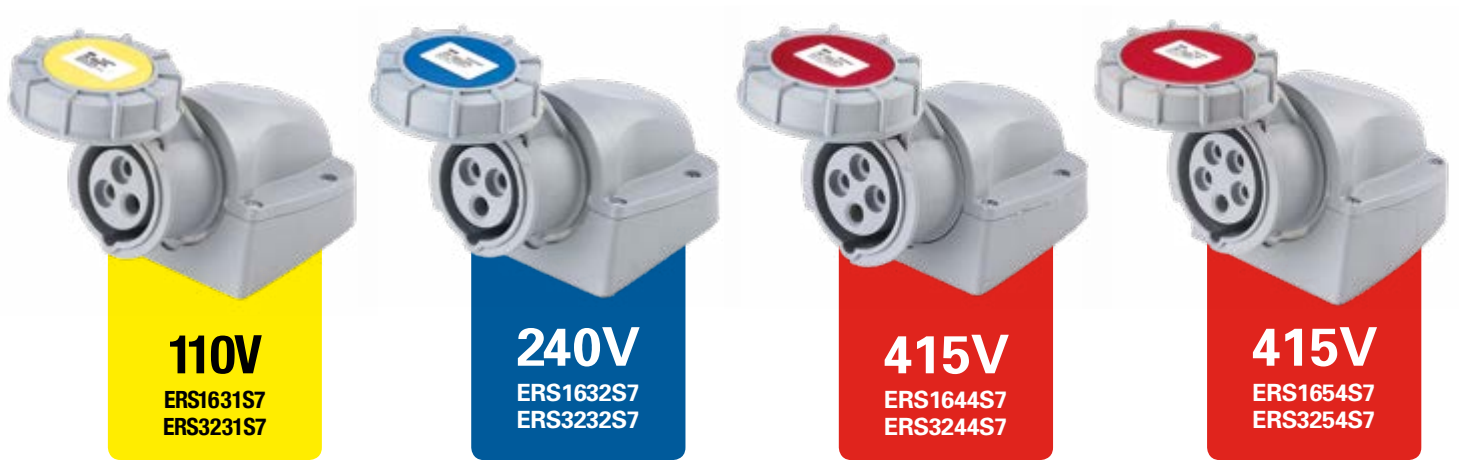
eris-eu.com



Industrial

IP67 Industrial Surface Sockets 16A-32A

Specifications and Dimensions

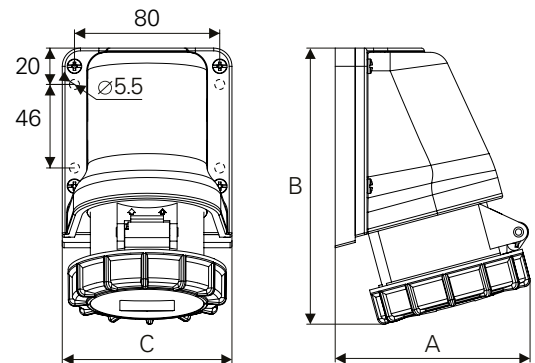


Product Code	Product Description
ERS1631S7	16A 2P+E 110V
ERS1632S7	16A 2P+E 240V
ERS1644S7	16A 3P+E 415V
ERS3231S7	32A 2P+E 110V

Product Code	Product Description
ERS1654S7	16A 3P+N+E 415V
ERS3232S7	32A 2P+E 240V
ERS3244S7	32A 3P+E 415V
ERS3254S7	32A 3P+N+E 415V

Dimensions:

Current	16A			32A			
	Pole	3	4	5	3	4	5
A (mm)		101	104	107	114	114	116
B (mm)		150	150	151	162	162	163
C (mm)		93.5	93.5	93.5	93.5	93.5	93.5
Cable size (mm ²)		1.5-4			16-50		



For any further comments or assistance please contact:

eris-eu.com