



IP67 Vertical Switch Sockets 63A

Specifications and Dimensions

It is the responsibility of the person installing the electrical equipment to ensure that the installation meets the requirements of the IET wiring regulations and is therefore 'fit for purpose'. Factors such as correct selection of components, cable sizing, protective devices and Earth bonding are all critical and should be checked prior to full testing and power-up. Any other regulations applicable to the equipment being installed such as the Machinery Directive and current health and safety legislation must also be adhered to. Terminals, including factory fitted, should be checked periodically to ensure correct tightness. **DO NOT USE POWER TOOLS ON THESE PRODUCTS.**

ERIS offers a comprehensive range of industrial plugs and sockets ranging from 16A to 125A to suit all environments and applications. All products are RoHS compliant and are produced strictly according to international standard IEC 60309-1, IEC 60309-2.

ERIS Plugs and sockets are manufactured to be used in a wide variety of industry from Petroleum and Chemical industry, quarry plants, airports, building sites, processing industry, water and sewerage plants, hotel, ports and mining.

The ERIS plugs and sockets are corrosion and impact resistant, IP rated – sealed against levels of dust and water ingress. Products have an operating temperature range of -25°C to 50°C.

All products have an operating voltage up to 690V AC in varying pin configurations and are also colour coded to identify operation voltage.

For any further comments or assistance please contact:

eris-eu.com



Industrial

IP67 Vertical Switch Sockets 63A

Specifications and Dimensions



240V
ERS6332VSS7

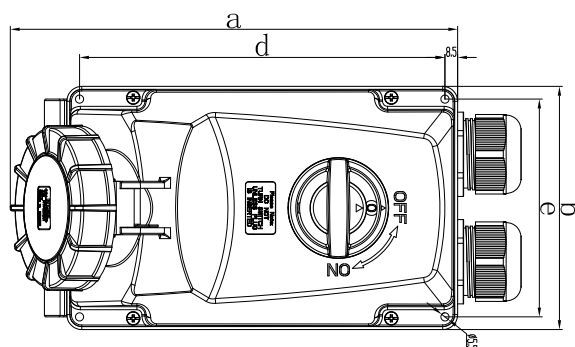


415V
ERS6344VSS7



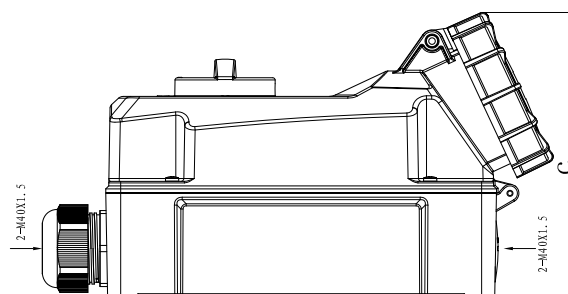
415V
ERS6354VSS7

Product Code	Product Description
ERS6332VSS7	63A 2P+E 240V
ERS6344VSS7	63A 3P+E 415V
ERS6354VSS7	63A 3P+N+E 415V



Dimensions:

Current	63A			
	Pole	3	4	5
A (mm)		300	300	300
B (mm)		163	163	163
C (mm)		191	191	191
D (mm)		245	245	245
E (mm)		146	146	146
Cable size (mm ²)		6~25		



For any further comments or assistance please contact:

eris-eu.com