

PC T8 PRO, 70 W

PC PRO T8



Product description

- _ CELMA Energy Efficiency Index A2
- _ Nominal life-time up to 50,000 h (at t_a 50 °C with a failure rate \leq 0.2 % per 1,000 h)
- _ Large temperature range (for values see table)
- _ Intelligent Voltage Guard (overvoltage indication and undervoltage shutdown)
- _ Constant luminous flux irrespective of fluctuations in mains voltage
- _ For luminaires of protection class I and protection class II
- _ Automatic start after replacement of defective lamps
- _ Safety shutdown of defective lamps and at end of lamp life
- _ Insulation Displacement Connection (IDC) terminal for rapid automatic or manual wiring
- _ For emergency lighting systems as per EN 50172
- _ For luminaires with M and MM as per EN 60598, VDE 0710 and VDE 0711
- _ Temperature protection as per EN 61347-2-3 C5e
- _ 5-year guarantee

Website

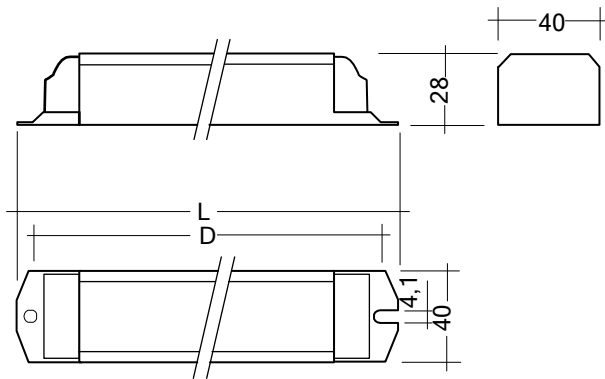
<http://www.tridonic.com/87500523>



PC T8 PRO, 70 W

PC PRO T8

The complete data sheet for this product is available in the Downloads section.



Ordering data

Type	Article number	Packaging, carton	Packaging, low volume	Packaging, high volume	Weight per pc.
For luminaires with 2 lamps					
PC 2/70 T8 PRO	87500523	28 pc(s).	336 pc(s).	1,344 pc(s).	0.313 kg

Technical data

Mains voltage range	220 – 240 V
AC voltage range	198 – 264 V
DC voltage range	176 – 280 V (lamp start \geq 198 V DC)
Mains frequency	0 / 50 / 60 Hz
Overvoltage protection	320 V AC, 1 h
Defined warm start	\leq 1.5 s
Operating frequency	\geq 40 kHz
Type of protection	IP20

Approval marks



Standards

EN 55015, EN 60929, EN 61000-3-2, EN 61347-2-3, EN 61347-2-4, EN 61547, EN 60068-2-29, EN 60068-2-30, EN 60068-2-64, Acc. to EN 50172

Specific technical data

Lamp wattage	Lamp type	Type	Article number	Dimensions L x W x H	Hole spacing D	Lamp power	Circuit power	EEI	Current at 50 Hz		λ at 50 Hz		tc point max.	Ambient temperature ta
									220 V	240 V	220 V	240 V		
For luminaires with 2 lamps														
2 x 70 W	T26 (T8)	PC 2/70 T8 PRO	87500523	360 x 40 x 28 mm	350 mm	120 W	136.8 W	A2	0.62 A	0.57 A	0.99	0.99	70 °C	-25 ... +50 °C