

eris Data Sheet

6 & 8 Pole Steel Enclosed and Changeover Switch-Disconnectors

ERSS636, ERSS806, ERSP638, ERSMCO634S & ERSMCO804S

Important Safety Notice

It is the responsibility of the person installing the electrical equipment to ensure that the installation meets the requirements of the IET wiring regulations and is therefore 'fit for purpose'. Factors such as correct selection of components, cable sizing, protective devices and Earth bonding are all critical and should be checked prior to full testing and power-up. Any other regulations applicable to the equipment being installed such as the Machinery Directive and current health and safety legislation must also be adhered to. Terminals, including factory fitted, should be checked periodically to ensure correct tightness.

DO NOT USE POWER TOOLS ON THESE PRODUCTS

✓   **CE CB** Approved ✓ IP65 Rated ✓ IEC / EN 60947-3 ✓ Epoxy Coated Strong Steel Enclosure



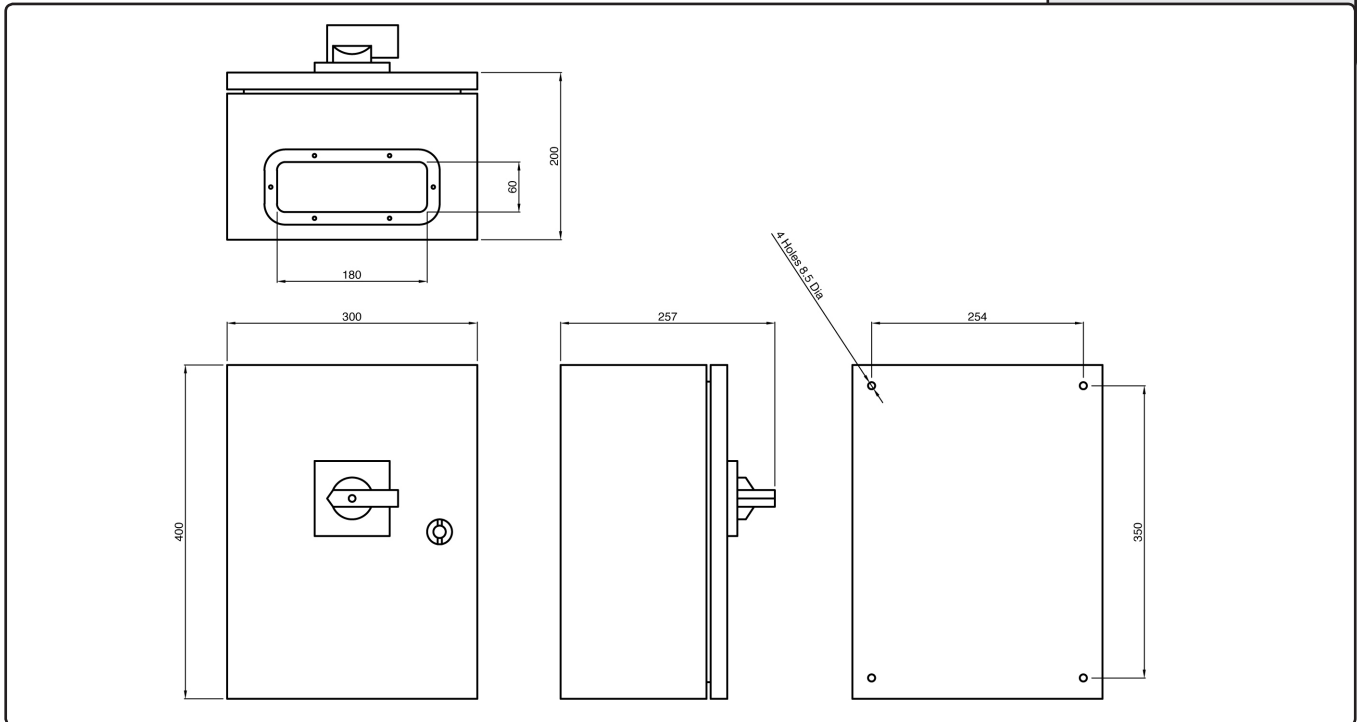
DATA	Range	Units	ERSS636 ERSP638 ERSMCO634S	ERSS806 ERSMCO804S	
Rated operational voltage U_e					
IEC & EN	Volts	V	690	690	
UL	Volts	V	600	600	
Main switch: Isolating voltage up to	Volts	V	750	750	
Rated impulse withstand voltage U_{imp}	Volts	kV	6	6	
Rated uninterrupted current I_u	Amps	A	63	80	
Rated operational current I_e					
IEC & EN	AC-22A	Up to 690V	A	63	80
	AC-21A	Up to 690V	A	80	80
	AC-1	Up to 690V	A	80	80
Rated operational power AC-23A (50-60Hz)					
IEC & EN	3 Phase	220-240V	kW	30	37
		380 - 440V	kW	45	90
		500 - 690V	kW	45	90
Rated operational power AC-3 (50-60Hz)					
IEC & EN	3 Phase	220-240V	kW	22	30
		440V	kW	30	55
		690V	kW	30	55
UL Power Rating					
DOL	3 Phase	120V	hp	7.5	7.5
		240V	hp	15	20
		480V	hp	25	30
		600V	hp	30	40
	1 Phase	120V	hp	3	3
		240V	hp	7.5	7.5
UL Short Circuit Ratings					
Fuse rating, class J	Amps	A	70	125	
Fuse rating, class RK5	Amps	A	-	-	
Rated Fused short circuit current	Amps	kA	10	10	
Short Circuit Capacity (IEC)					
Max fuse size (Type gl)	Amps	A	63	125	
Rated Fused short circuit current	Amps	kA	30	30	
Terminal Specification					
Single/ Multiple strand wire	Min-mm ²		2.5	2.5	
	Max-mm ²		25	50	
Fine strand with sleeve	Min-mm ²		2.5	4	
	Max-mm ²		10	50	
American wire gauge		AWG	6	1	
Recommended Tightening Torque		Nm	2.0	2.5	

eris Data Sheet

6 & 8 Pole Steel Enclosed and Changeover Switch-Disconnectors

ERSS636, ERSS806, ERSP638, ERSMCO634S & ERSMCO804S

Switch Dimensions



Terminal Configuration

