

INSTALLATION & MAINTENANCE MANUAL
FL8 & FL16



GENERAL INSTRUCTIONS

These instructions should be read carefully and retained after installation by the end user for future reference and maintenance.

These instructions should be used to aid installation of the following products:

FL8W, FL8BK, FL16W, FL16BK

SAFETY

- Installation of this luminaire should only be carried out by a qualified electrician or competent person to the latest Building and current IEE Wiring Regulations (BS7671)
- Please isolate mains prior to installation/maintenance
- Check the total load on the circuit (including when this luminaire is fitted) does not exceed the rating of the circuit cable, fuse or circuit breaker
- Please note the IP (Ingress of Protection) rating of this luminaire when deciding the location for installation
- This product is Class II double insulated
- This product is non-dimmable
- This product is IP44 rated

INSTALLATION

- Provide power to the required point of installation. Suitable IP rated junction boxes should be used where required
- We recommend an installation height of 2.4m
- Remove the back panel with the aid of a slotted screwdriver (see Fig 1)

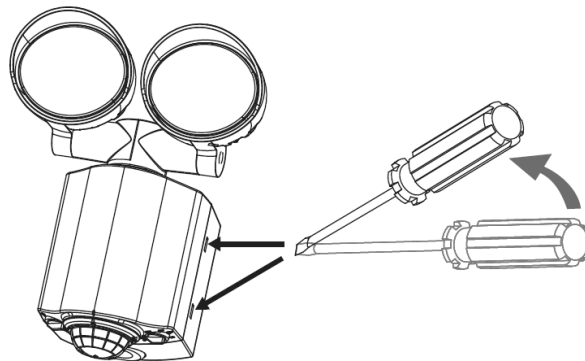


Fig 1

Fig 1 (FL16 shown in the image)

- Mark the location of the fixing holes, and drill ensuring not to infringe with any joists, gas or water pipes or electrical cables
- Feed the cable via the cable entry point on the bottom of the luminaire
- The Earth terminal is non-functional and is included for convenience only
- Connect the Live (brown), Neutral (blue) to the terminal block (see Fig 2)

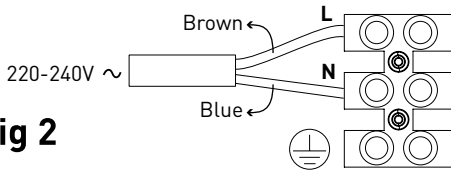
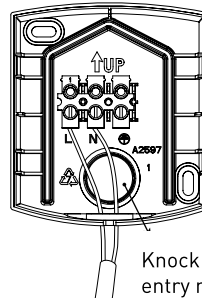
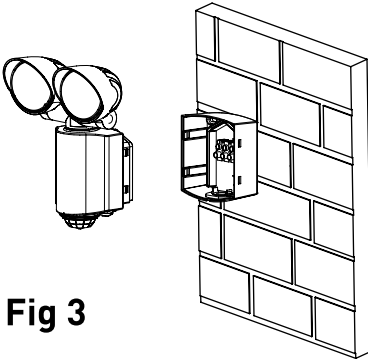


Fig 2

- Reattach the luminaire to the back panel, see Fig 3



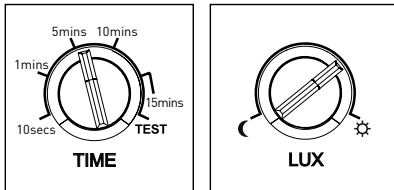
Knock out for rear entry mains cable



- When the time dial (see Fig 4) is set to "TEST" (test mode) the luminaire remains on for approximately 1 minute (after detection). After the 1 minute has elapsed it turns on and off approximately every 3 seconds after detection (TEST MODE ONLY)

Fig 3

- Switch on and check for correct operation



- After the test mode is successful, proceed onto setting up the PIR via the dials (see Fig 4)
- Time duration can be changed from 10 seconds to 15 minutes
- Lux setting can be changed from 5lx to daylight

Fig 4

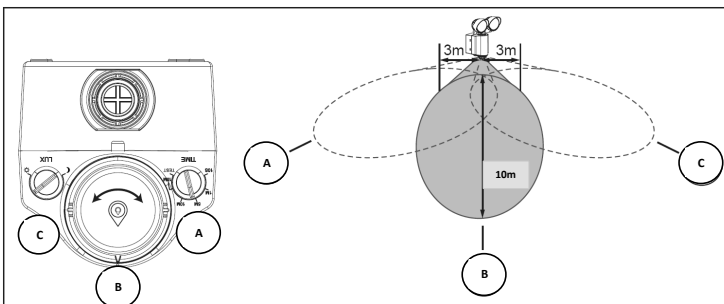


Fig 5

- The field of detection can be adjusted left and right by rotating ring around the PIR
- Positions A, B and C are shown but any position between them can be set (see Fig 5)
- Maximum detection range of up to 10m when mounted at a height of 2.4m

BLANKING INSERTS

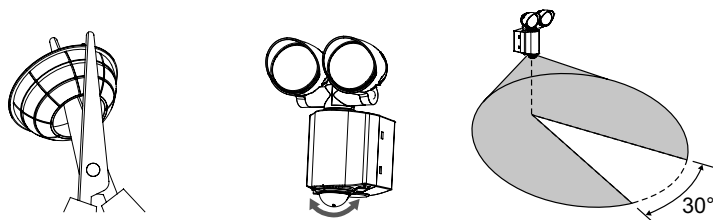


Fig 6

- Specific areas within the detection zone can be blocked if required (see Fig 6)
- The detection angle can be removed in 30° sections

WARNING

This product must be disconnected from the circuit if it's subjected to any high voltage or insulation resistance testing. Irreparable damage will occur if this instruction is not followed.

The PIR full range may be affected by atmospheric conditions.

This product is unsuitable for installation in or near coastal and marine environments.

Do not use any source of high pressure washers to maintain or clean this luminaire.

GENERAL

Clean with a soft dry cloth only, do not use aggressive cleaning products or solvents which may damage the fitting.

The unit should be recycled in the correct manner when it reaches the end of its life. Check local authorities for where facilities exist.

WARRANTY

This product has a warranty of 3 years from date of purchase. Failure to install this product in accordance with the current edition of the IEE Wiring Regulations, improper use, or removal of the batch codes will invalidate the warranty. If this product should fail within its warranty period it should be returned to the place of purchase for a free of charge replacement. ML Accessories does not accept responsibility for any installation costs associated with the replacement product. Your statutory rights are not affected. ML Accessories reserve the right to alter product specification without prior notice.



ML Accessories Limited
LU5 5TA
www.mlaccessories.co.uk