

GU10 Fire Rated Downlights

Installation Instructions

 **Please read these instructions carefully before installation**
 Leave a copy for the user/maintenance engineer for future reference

Important Safety Information

- It is recommended that this fitting is installed, inspected and maintained by a qualified electrician.
- Installation should be carried out in accordance with the latest edition of the IEE Wiring Regulations (BS 7671) and the latest Building Regulations. If in doubt, consult a qualified electrician.
- These products are designed for connection to a 220-240V~50/60Hz supply.
- Before commencing any installation or maintenance work, ensure that the electrical mains supply is isolated and circuit fuses are removed or switched off.
- Important: Ensure that ALL electrical connections are tight with no loose strands including factory made connections.
- This product is Fire Rated and suitable for 30, 60 and 90 minute plasterboard ceilings.
- Please note the IP rating of this luminaire when deciding the location for installation.
- This luminaire is suitable for indoor use only.
- Insulation material may be loosely laid across the luminaire but NOT compressed.
- This is a Class I product which MUST BE EARTHED.
- This luminaire is suitable for mains powered LED or Tungsten Halogen GU10 lamps. Sizes of GU10 lamps can vary, ensure that your chosen lamp will fit the luminaire enclosure.
- When removing the lamp or luminaire for maintenance, allow sufficient time for the product to cool before handling.
- Replace failed lamps immediately.

Technical Specifications

| Part No. | Description | Option | Colour Finish | Measurement A x B | Bezel Diameter C | Cut Out Diameter D | IP Rating | Class Rating | Input Voltage |
|--------------------|---------------------------|--------|---------------|----------------------|------------------|--------------------|-----------|--------------|-----------------|
| Fixed | | | | | | | | | |
| LXFRDGU10/F/WH | Fire Rated Downlight GU10 | Fixed | White | 113 x 129 mm | 86mm | 73mm | IP20 | Class I | 220 - 240V 50Hz |
| LXFRDGU10/F/SCH | Fire Rated Downlight GU10 | Fixed | Satin Chrome | 113 x 129 mm | 86mm | 73mm | IP20 | Class I | 220 - 240V 50Hz |
| LXFRDGU10/F/CH | Fire Rated Downlight GU10 | Fixed | Chrome | 113 x 129 mm | 86mm | 73mm | IP20 | Class I | 220 - 240V 50Hz |
| Tilt | | | | | | | | | |
| LXFRDGU10/T/WH | Fire Rated Downlight GU10 | Tilt | White | 113 x 142 mm | 96mm | 86mm | IP20 | Class I | 220 - 240V 50Hz |
| LXFRDGU10/T/SCH | Fire Rated Downlight GU10 | Tilt | Satin Chrome | 113 x 142 mm | 96mm | 86mm | IP20 | Class I | 220 - 240V 50Hz |
| LXFRDGU10/T/CH | Fire Rated Downlight GU10 | Tilt | Chrome | 113 x 142 mm | 96mm | 86mm | IP20 | Class I | 220 - 240V 50Hz |
| IP65 | | | | | | | | | |
| LXFRDGU10/IP65/WH | Fire Rated Downlight GU10 | IP65 | White | 113 x 129 mm | 86mm | 73mm | IP65 | Class I | 220 - 240V 50Hz |
| LXFRDGU10/IP65/SCH | Fire Rated Downlight GU10 | IP65 | Satin Chrome | 113 x 129 mm | 86mm | 73mm | IP65 | Class I | 220 - 240V 50Hz |
| LXFRDGU10/IP65/CH | Fire Rated Downlight GU10 | IP65 | Chrome | 113 x 129 mm | 86mm | 73mm | IP65 | Class I | 220 - 240V 50Hz |

Important Installation Information

Always switch off the mains power supply before installation or servicing. Ensure that there is adequate free air ventilation around the luminaire at all times. Do not install this product into damp or newly plastered ceilings

This luminaire can be loosely covered with mineral wool insulation material. However, minimum clearance distances around the luminaire must be observed: 25mm above the top of the luminaire, 75mm to all sides of the luminaire and 0.5m minimum distance between luminaires.

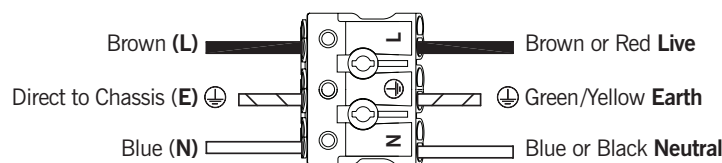
1. Select the required mounting position in the ceiling and accurately cut out the circular hole diameter for the luminaire type which is to be installed – see table overleaf for cut out sizes.

Do not exceed the relevant cut out diameter and ensure that luminaires are spaced adequately to provide clearance from any joists, beams or cables within the ceiling void.

2. Pull the mains supply cable through the hole and connect into the terminal block. Ensure that the correct polarity is observed. This is a Class I product which **MUST BE EARTHED**.

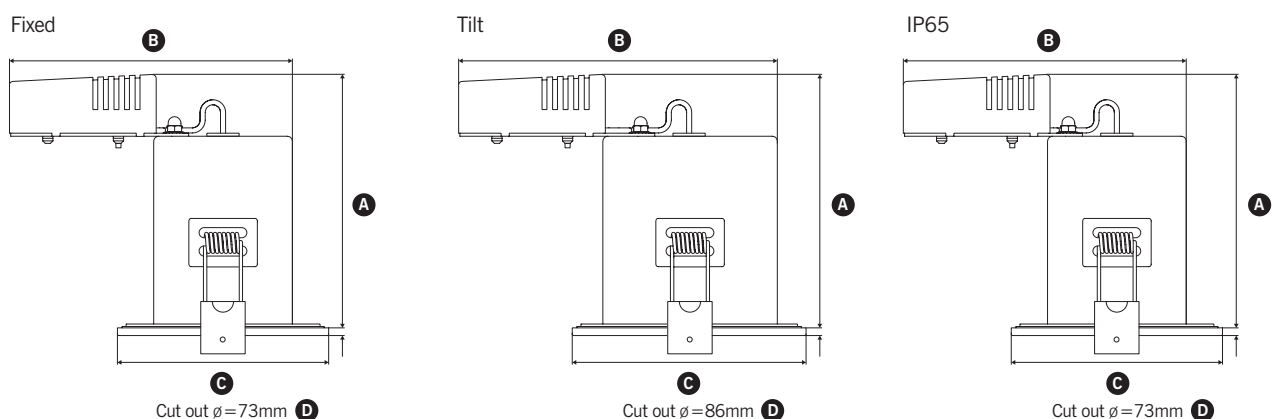
The terminal block allows for `Loop in / Loop out` connection.

Class I Wiring Details



3. Press the spring clips in the upward position, insert the luminaire through the cut out hole and into the ceiling void, take care not to trap any cables. The spring clips will locate onto the top of the ceiling surface to provide secure installation. Ensure that the silicon ring is in place on the back of the bezel housing and the luminaire is fitted centrally to the cut out hole.
4. Turn anti-clockwise and remove the front bezel of the luminaire to provide access to the lampholder.
5. Fit the correct lamp type into the spring clip located inside the front bezel. Connect the lampholder to the lamp pins and ensure that the lamp is securely located.
6. Refit the front bezel and turn clockwise to secure.
7. When the luminaire is connected and installed, reconnect the mains power supply and check for correct operation.

GU10 Fire Rated Downlight Range



Warranty

This product is guaranteed in the EU for a period of 3 years from the date of purchase. The guarantee is invalid in the case of improper use, installation, tampering, removal of the QC/batch code label, installation in an improper working environment or installation not according to the current edition of the IEE Wiring Regulations (BS 7671). Should this product fail during the guarantee period it will be replaced free of charge, subject to correct installation and return of the faulty unit. Luxna Lighting does not accept responsibility for any installation costs associated with the replacement of this product. Your statutory rights are not affected. Luxna Lighting reserves the right to alter product specifications without prior notification.