

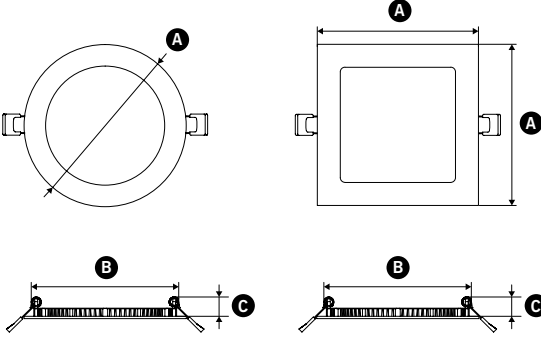
## LED Round/Square Panel Light Installation Instructions

 **Please read these instructions carefully before installation**  
Leave a copy for the user/maintenance engineer for future reference

### Important Safety Information

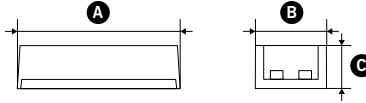
- It is recommended that this fitting is installed, inspected and maintained by a qualified Electrician.
- Installation should be carried out in accordance with the latest edition of the IEE Wiring Regulations (BS 7671) and the latest Building Regulations. If in doubt, consult a qualified electrician.
- These products are designed for connection to a 220-240V~50/60Hz supply.
- Before commencing any installation or maintenance work, ensure that the electrical mains supply is isolated and circuit fuses are removed or switched off.
- Important: Ensure that ALL electrical connections are tight with no loose strands including factory made connections.
- Please note the IP rating of this luminaire when deciding the location for installation.
- This luminaire is suitable for indoor use only.
- This luminaire is supplied with a remote 'plug-and-play' driver which is fixed output as standard. Optional dimmable drivers are available – see table below.
- DO NOT COVER this luminaire or driver with insulation materials. Ensure that there is a minimum of 75mm clearance around the luminaire to allow sufficient air circulation.
- This is a class II luminaire, double insulated, no earth required.
- The LED lamps fitted in this product are non-replaceable, the whole luminaire must be replaced when the LED reaches the end of its life.

### LED Panel range



Round Fitting      Square Fitting

### Dimmable Drivers



- Triac dimming - replace the standard driver with a dimmable driver, ensure that the correct wattage is selected.
- Suitable for dimming using most trailing / leading edge type dimmers.

Part No.	Description	Power (W)	Measurement (AxBxC mm)
LXPLRS6DD	Use with LXPLR6 / LXPLS6	6	123 x 45 x 19
LXPLRS9DD	Use with LXPLR9 / LXPLS9	9	123 x 45 x 19
LXPLRS12DD	Use with LXPLR12 / LXPLS12	12	123 x 45 x 19
LXPLRS18DD	Use with LXPLR18 / LXPLS18	18	153 x 42 x 32
Dimming	Refer to dimmer manufacturers guidelines regarding suitability and loadings		
Emergency	Remote 3hr Emergency Pack - Available on request		

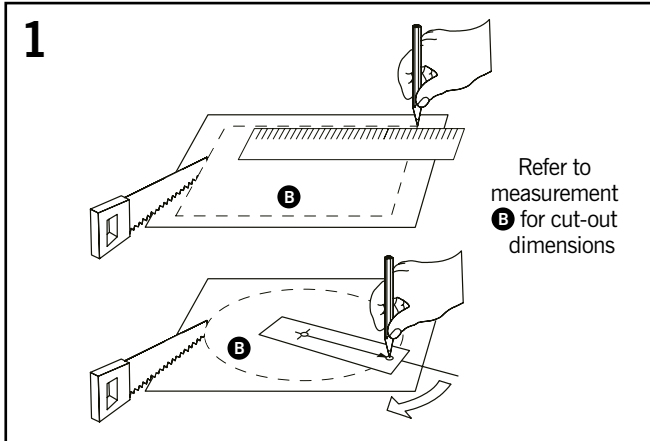
### Technical Specifications

Part No.	Description	Wattage	Measurement A x B x C	Lumen Output			IP Rating	Power Factor	CRI	Colour Temperature		
				WW	NW	CW				WW	NW	CW
<b>Round</b>												
LXPLR6*	LED Round Panel Light	6W	120 x 108 x 22 mm	320Lm	350Lm	350Lm	IP20	> 0.90	> 80	3000K	4000K	6000K
LXPLR9*	LED Round Panel Light	9W	145 x 132 x 22 mm	550Lm	600Lm	600Lm	IP20	> 0.90	> 80	3000K	4000K	6000K
LXPLR12*	LED Round Panel Light	12W	172 x 158 x 22 mm	820Lm	900Lm	900Lm	IP20	> 0.90	> 80	3000K	4000K	6000K
LXPLR18*	LED Round Panel Light	18W	225 x 210 x 22 mm	1350Lm	1500Lm	1500Lm	IP20	> 0.90	> 80	3000K	4000K	6000K
LXPLR24*	LED Round Panel Light	24W	300 x 280 x 22 mm	1850Lm	2000Lm	2000Lm	IP20	> 0.90	> 80	3000K	4000K	6000K
<b>Square</b>												
LXPLS6*	LED Square Panel Light	6W	120 / 120 x 105 x 22 mm	320Lm	350Lm	350Lm	IP20	> 0.90	> 80	3000K	4000K	6000K
LXPLS9*	LED Square Panel Light	9W	145 / 145 x 130 x 22 mm	550Lm	600Lm	600Lm	IP20	> 0.90	> 80	3000K	4000K	6000K
LXPLS12*	LED Square Panel Light	12W	172 / 172 x 155 x 22 mm	820Lm	900Lm	900Lm	IP20	> 0.90	> 80	3000K	4000K	6000K
LXPLS18*	LED Square Panel Light	18W	225 / 225 x 210 x 22 mm	1350Lm	1500Lm	1500Lm	IP20	> 0.90	> 80	3000K	4000K	6000K
LXPLS24*	LED Square Panel Light	24W	300 / 300 x 280 x 22 mm	1850Lm	2000Lm	2000Lm	IP20	> 0.90	> 80	3000K	4000K	6000K

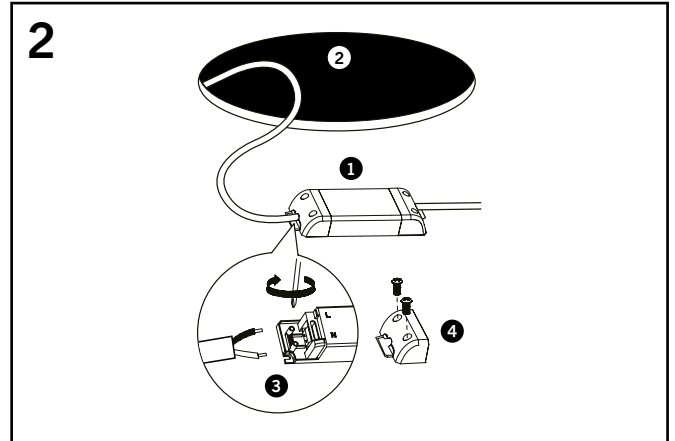
\*Add WW for Warm White 3000K / NW for Neutral White 4000K / CW for Cool White 6000K

## Important Installation Information

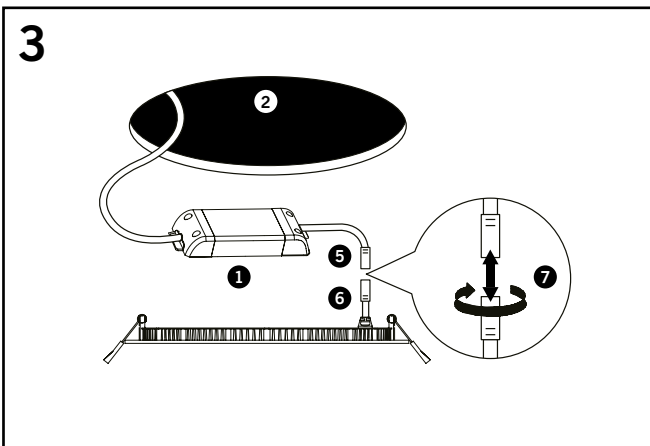
- Always switch off the mains power supply before installation or servicing.
- This luminaire should be recessed into a flat, smooth surface. Ensure that the mounting area is clean and free from any obstructions. The installation must not infringe on gas/water pipes or any other electrical cables or services which may be hidden behind the ceiling.



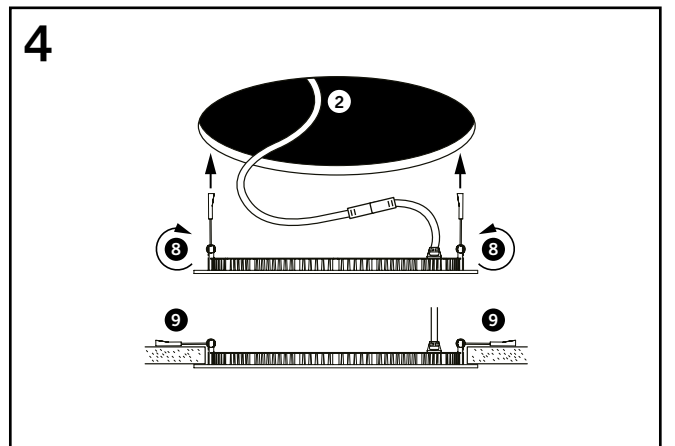
Decide the mounting position and accurately cut out the mounting hole in the ceiling. Do not exceed the relevant cut out dimensions and ensure that each luminaire is spaced adequately to provide clearance from any joists, beams or cables within the ceiling void.



Locate the LED driver ① which is supplied with the luminaire into the open ceiling void ②. Connect the mains supply cable to the LIVE and NEUTRAL input terminals ③ and replace the terminal cover cap ④. Ensure that the correct polarity is observed.



Connect the plug lead ⑤ which is pre-wired into the output terminals of the LED driver ① to the lead which is attached to the luminaire ⑥. Rotate the two plugs 90 degrees to ensure a secure connection ⑦.



With the spring clips held in the upward position ⑧, insert the luminaire through the cut out hole and into the ceiling void ②. Take care not to trap any loose cables. The spring clips will locate onto the top of the ceiling surface to provide a secure installation ⑨. Ensure that the luminaire is fitted centrally to the cut out mounting hole.

- When the luminaire is connected and installed, reconnect the mains power supply and test for correct and satisfactory operation.
- Do not carry out insulation tests with the luminaire connected to the circuit.
- MCBs may require to be updated to allow for increased initial inrush current.
- Dimmable drivers and Remote Emergency pack options are also available to suit the installation Requirements.

### Warranty

This product is guaranteed in the EU for a period of 2 years from the date of purchase. The guarantee is invalid in the case of improper use, installation, tampering, removal of the QC/batch code label, installation in an improper working environment or installation not according to the current edition of the IEE Wiring Regulations (BS 7671). Should this product fail during the guarantee period it will be replaced free of charge, subject to correct installation and return of the faulty unit. Luxna Lighting does not accept responsibility for any installation costs associated with the replacement of this product. Your statutory rights are not affected. Luxna Lighting reserves the right to alter product specifications without prior notification.