

Wiring

Single Circuit Switching

With the Copper Link (1) in place, the switch return can be wired to terminal SW(A) or SW(B) to switch all outgoing ways.

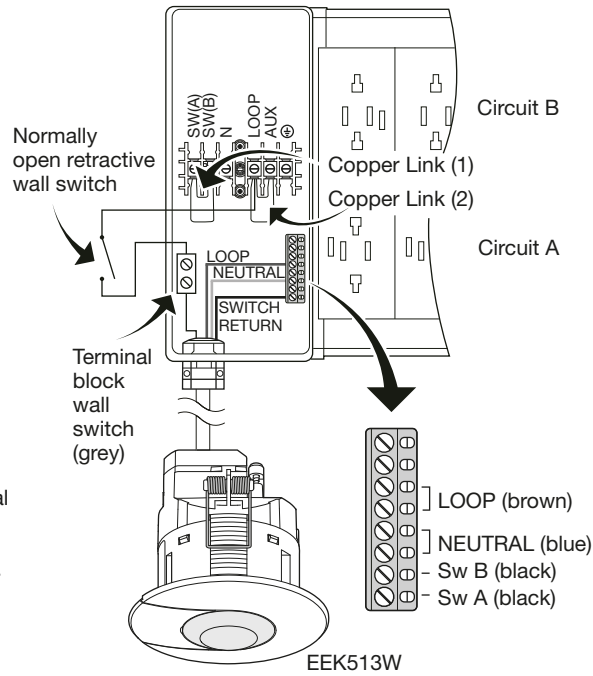
Dual Circuit Switching

For dual circuit switching remove the Copper Link (1). Terminal SW(A) will switch outgoing ways marked as Circuit A, and Terminal SW(B) will switch outgoing ways marked as circuit B.

Flexible Cords

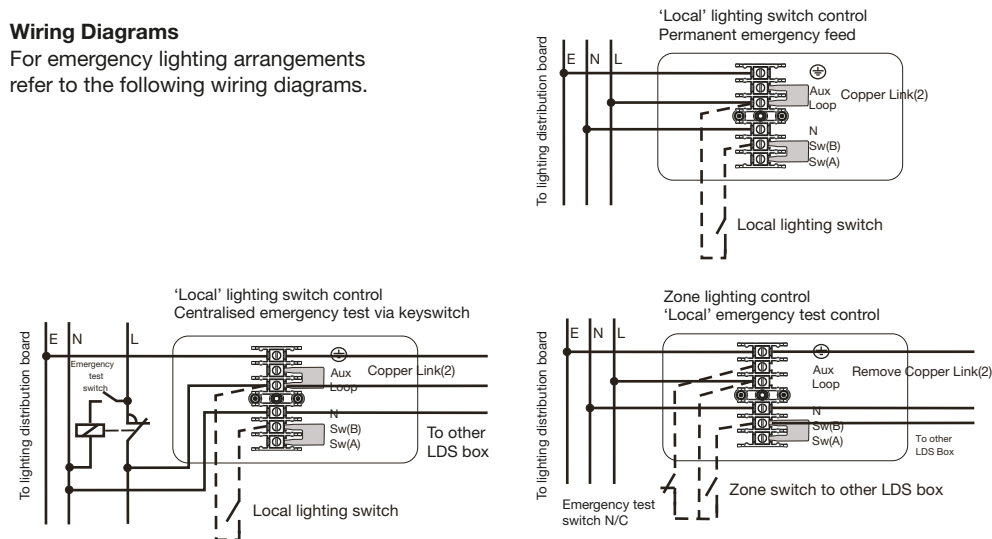
Conductors of flexible cords should not be connected into the main terminal block. A separate terminal block is provided for connecting any switching devices using a flexible cord e.g. hager EEK513W occupancy sensor. Maximum rating for this terminal block is 10A.

klik.LDS with all ways switched by a single hager EEK513W occupancy sensor



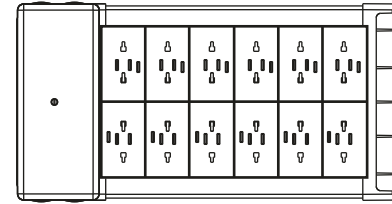
Wiring Diagrams

For emergency lighting arrangements refer to the following wiring diagrams.

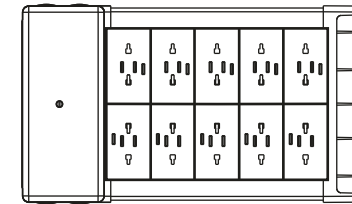


klik.lighting distribution system

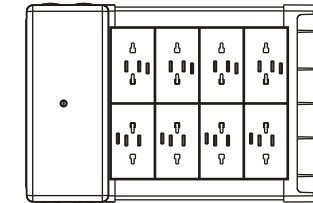
:hager



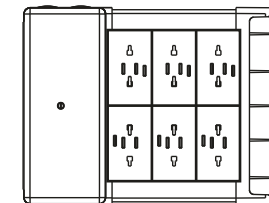
KLDS12



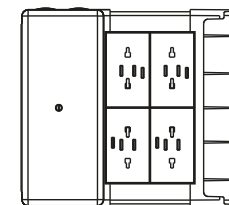
KLDS10



KLDS8



KLDS6



KLDS4

Hager Ltd

Hortonwood 50
Telford
Shropshire
TF1 7FT

Sales Hotline:

Tel: 01952 675612

Fax: 01952 675645

sales@hager.co.uk

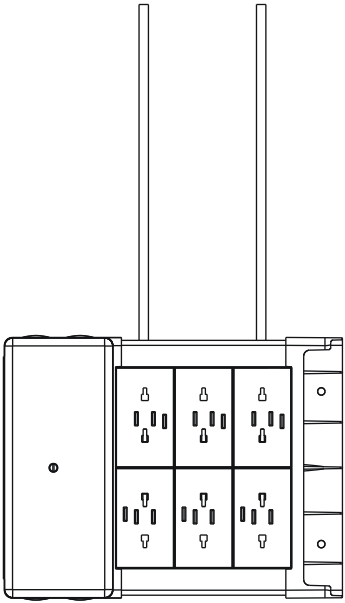
Technical Support Line:

Tel: 01952 675689

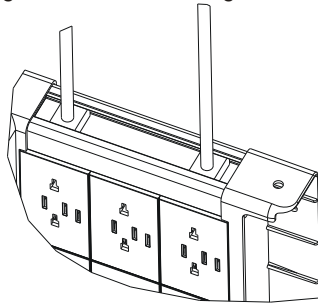
technical@hager.co.uk

This product should be installed by a competent person (e.g. a qualified electrician) in accordance with these instructions and the appropriate clauses of the IEE Wiring Regulations (BS7671).

Hanging from ceiling suspension systems

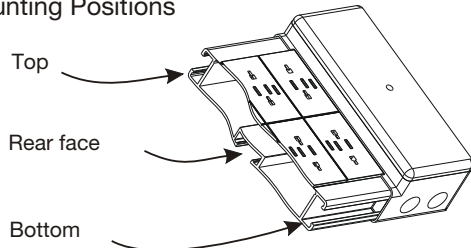


A. Attach spring channel nuts to ceiling channel.

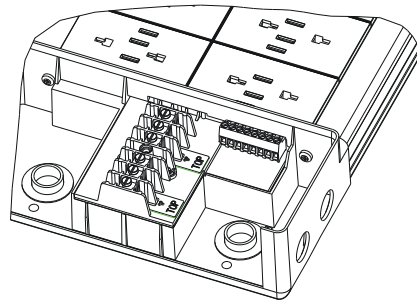


B. Attach spring channel nuts to the opposite end of suspension rod and place in T-slot in box.

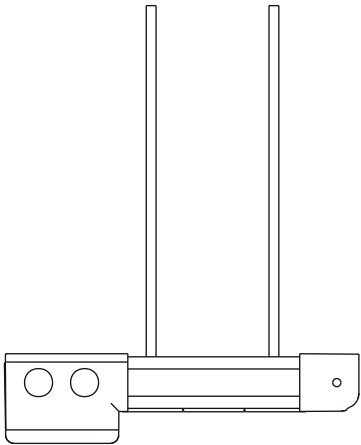
Mounting Positions



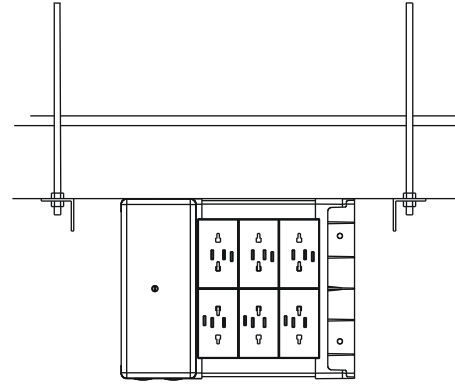
C. There is a choice of three mounting positions top, bottom or rear face.



D. To enable entry of wiring system remove appropriate knockouts connect and terminate

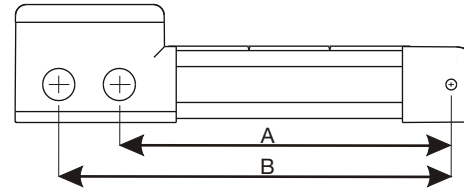


Fixed to trunking



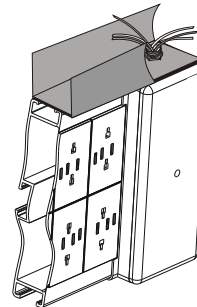
A. Remove end cover.

B. Drill a 20mm dia hole in the base of the lighting trunking at the position where cable entry to the LDS box will be. Drill a second hole 6mm dia clear to line up with the fixing hole at the non terminal end of the LDS box.

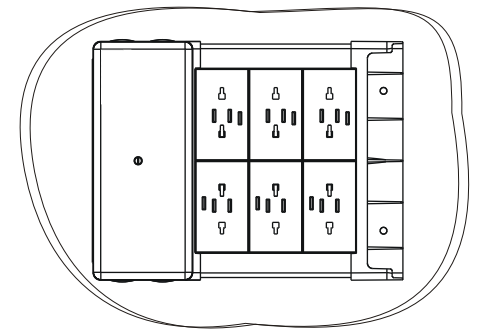


4 way	A = 155	B = 193
6 way	A = 205	B = 243
8 way	A = 255	B = 293
10 way	A = 305	B = 343

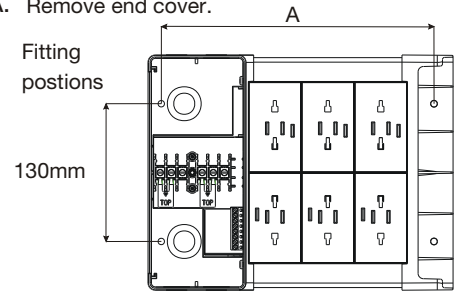
C. Using an appropriate conduit fitting. Attach the box to the trunking via the 20mm hole and use a M6 nut and bolt through the 6mm hole. Run cables through conduit fitting and terminate cables. (See wiring diagrams)



Fixed to solid surface



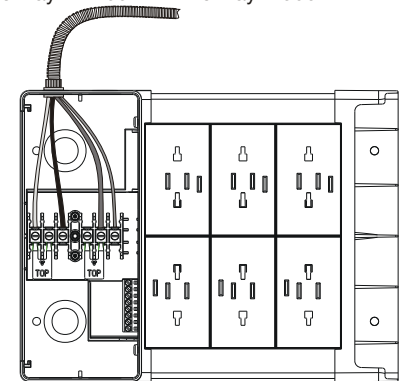
A. Remove end cover.



B. Drill holes through terminal end in recess on inside face of terminal compartment through dimples. Use the fixing holes at the non terminal end.

Fixing centres 'A' are

4 way = 208	8 way = 308
6 way = 258	10 way = 358



C. To enable entry of wiring system remove appropriate knockouts connect and terminate conductors. (See wiring diagrams)