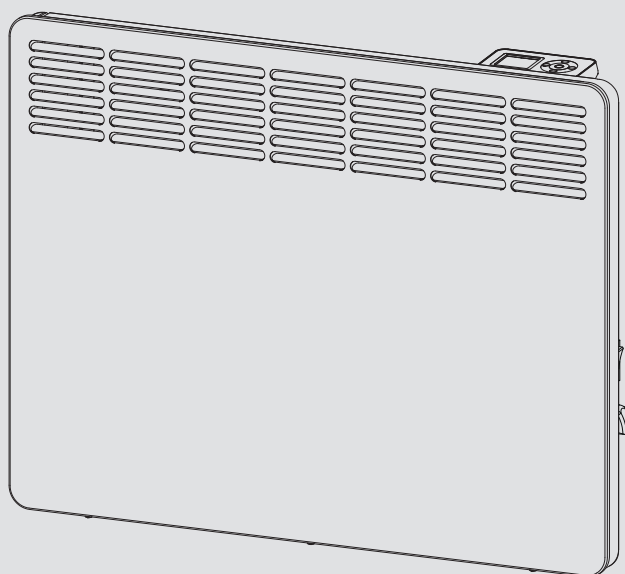


OPERATION AND INSTALLATION

Wall mounted convector heater

- » CNS 50 Trend UK
- » CNS 75 Trend UK
- » CNS 100 Trend UK
- » CNS 150 Trend UK
- » CNS 200 Trend UK
- » CNS 250 Trend UK
- » CNS 300 Trend UK



STIEBEL ELTRON

SPECIAL INFORMATION

OPERATION

1. General information	3
1.1 Safety instructions	3
1.2 Other symbols in this documentation	3
1.3 Information on the appliance	3
1.4 Units of measurement	3
2. Safety	3
2.1 Intended use	3
2.2 General safety instructions	4
2.3 Test symbols	4
3. Appliance description	4
4. Operation	4
4.1 Programming unit	5
4.2 Switching the appliance on and off	5
4.3 Standby mode	5
5. Settings	6
5.1 Standard display	6
5.2 Standard menu	6
5.3 Configuration menu	6
6. Cleaning, care and maintenance	8
7. Troubleshooting	8

INSTALLATION

8. Safety	8
8.1 General safety instructions	8
8.2 Instructions, standards and regulations	8
9. Appliance description	8
9.1 Standard delivery	8
10. Installation	9
10.1 Minimum clearances	9
10.2 Installing the wall mounting bracket	9
10.3 Appliance installation	9
10.4 Removing the appliance	10
10.5 Electrical connection	10
11. Commissioning	10
12. Troubleshooting	10
13. Appliance handover	10
14. Specification	11
14.1 Dimensions and connections	11
14.2 Energy consumption data	11
14.3 Data table	12

GUARANTEE

ENVIRONMENT AND RECYCLING

SPECIAL INFORMATION

- Keep children under the age of 3 away from the appliance if constant supervision cannot be guaranteed.
- Children from the age of 3 to 7 may switch the appliance on and off, provided they are supervised or have been instructed in the safe operation of the appliance and understand any risks that may result. This is subject to the appliance having been installed as described. Children from the age of 3 to 7 must not regulate the appliance.
- The appliance may be used by children aged 8 and older and persons with reduced physical, sensory or mental capabilities or a lack of experience and know-how, provided that they are supervised or they have been instructed on how to use the appliance safely and have understood the potential risks.
- Children must never play with the appliance. Children must never clean the appliance or perform user maintenance unless they are supervised.
- Parts of the appliance can get very hot and may cause burns. Particular caution is advised when children or vulnerable persons are present.
- In order to avoid overheating, do not cover the heater.
- Never install the appliance directly below a wall socket.
- In the case of a permanent connection, the appliance must be able to be separated from the power supply by an isolator that disconnects all poles with at least 3 mm contact separation.

OPERATION

General information

- The power cable must only be replaced (for example if damaged) by a qualified contractor authorised by the manufacturer, using an original spare part.
- Secure the appliance as described in chapter "Installation / Installation".

OPERATION

1. General information

The chapters "Special information" and "Operation" are intended for both users and qualified contractors.

The chapter "Installation" is intended for qualified contractors.



Note

Read these instructions carefully before using the appliance and retain them for future reference. Pass on the instructions to a new user if required.

1.1 Safety instructions

1.1.1 Structure of safety instructions



KEYWORD Type of risk

Here, possible consequences are listed that may result from failure to observe the safety instructions.

► Steps to prevent the risk are listed.

1.1.2 Symbols, type of risk

Symbol	Type of risk
	Injury
	Electrocution
	Burns (burns, scalding)

1.1.3 Keywords

KEYWORD	Meaning
DANGER	Failure to observe this information will result in serious injury or death.
WARNING	Failure to observe this information may result in serious injury or death.
CAUTION	Failure to observe this information may result in non-serious or minor injury.

1.2 Other symbols in this documentation



Note

General information is identified by the adjacent symbol. ► Read these texts carefully.

Symbol	Meaning
	Material losses (appliance damage, consequential losses and environmental pollution)
	Appliance disposal

► This symbol indicates that you have to do something. The action you need to take is described step by step.

1.3 Information on the appliance

Symbol	Meaning
	Never cover the appliance

1.4 Units of measurement



Note

All measurements are given in mm unless stated otherwise.

2. Safety

2.1 Intended use

This appliance is designed to heat living areas.

The appliance is intended for domestic use. It can be used safely by untrained persons. The appliance can also be used in a non-domestic environment, e.g. in a small business, as long as it is used in the same way.

Any other use beyond that described shall be deemed inappropriate. Observation of these instructions and of the instructions for any accessories used is also part of the correct use of this appliance.

Appliance description

2.2 General safety instructions

**WARNING Injury**

- Keep children under the age of 3 away from the appliance if constant supervision cannot be guaranteed.
- Children from the age of 3 to 7 may switch the appliance on and off, provided they are supervised or have been instructed in the safe operation of the appliance and understand any risks that may result. This is subject to the appliance having been installed as described. Children from the age of 3 to 7 must not regulate the appliance.
- The appliance may be used by children aged 8 and older and persons with reduced physical, sensory or mental capabilities or a lack of experience and know-how, provided that they are supervised or they have been instructed on how to use the appliance safely and have understood the potential risks.
- Children must never play with the appliance. Children must never clean the appliance or perform user maintenance unless they are supervised.

**WARNING Injury**

In closed rooms, temperatures can rapidly reach high values. Ensure constant supervision if the appliance is operated in a small room and the persons within that room cannot regulate the appliance or leave the room on their own.

**WARNING Burns**

Never operate this appliance...

- if the distance from adjacent objects or other flammable materials would be less than the minimum permissible distance.
- in rooms where it is at risk of fire or explosion as a result of chemicals, dust, gases or vapours. Ventilate the room sufficiently before heating.
- in the direct proximity of pipes or receptacles that carry or contain flammable or explosive materials.
- if an appliance component is damaged, the appliance has fallen over or there is a fault.

**WARNING Burns**

- Never place any flammable, combustible or insulating objects or materials on the appliance or in direct proximity to it.
- Ensure that the air intake and discharge are never blocked.
- Never place any objects between the appliance and the wall.

**WARNING Burns**

The appliance is unsuitable for use as a floorstanding appliance. Only ever operate this appliance when mounted on the wall mounting bracket supplied (see chapter "Installation / Installation").

**CAUTION Burns**

Parts of the appliance can get very hot and may cause burns. Particular caution is advised when children or vulnerable persons are present.

**WARNING Overheating**

In order to avoid overheating, do not cover the heater.

**Material losses**

- Ensure that the power cable is not touching the appliance.
- Never stand on the appliance.
- Never operate the appliance in the open air.

2.3 Test symbols

See type plate on the appliance.

3. Appliance description

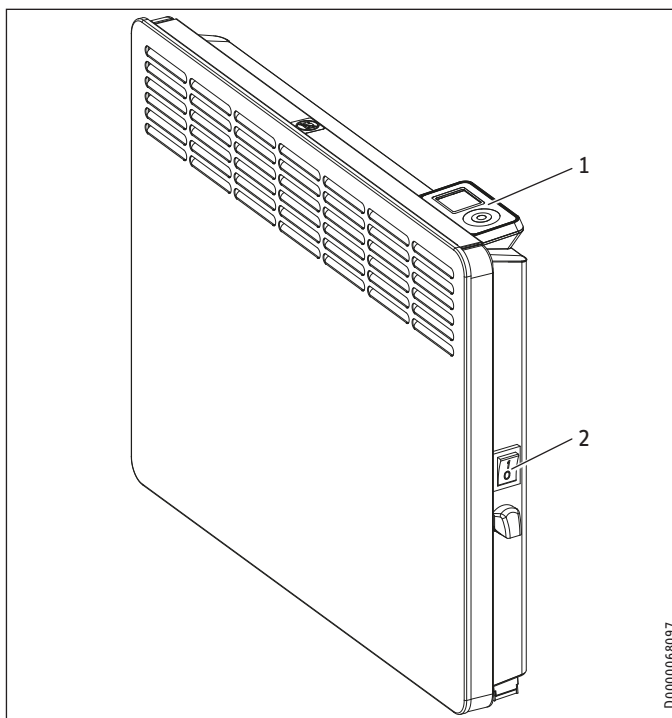
The appliance is a wall mounted electric direct heater.

The appliance is suitable for use as a standalone heating system, or can be used in spring and autumn and as a booster heater in smaller rooms.

The air inside the appliance is heated by a heating element and expelled via natural convection through the air discharge at the top. Cool indoor air is drawn in through the air intake on the underside of the appliance.

When the set room temperature is reached, it is maintained by periodic heating.

4. Operation



- 1 Programming unit
- 2 ON/OFF switch

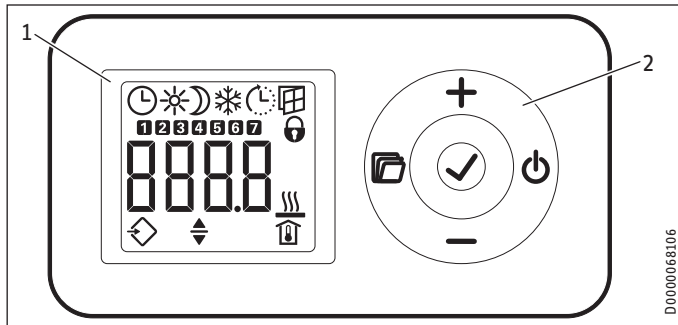
D0000068097

OPERATION

Operation

4.1 Programming unit

The programming unit is located at the top right of the appliance.



- 1 Display
- 2 User interface

4.1.1 User interface

Button	Designation	Description
	"Standby" key	Switch on the programming unit; Put programming unit and heating appliance into standby mode
	"OK" button	Selection; Confirm settings
	"Menu" key	Call up and exit menu
	"+" key	Call up menu items; Change settings
	"-" key	Call up menu items; Change settings

4.1.2 Display

If no user action occurs for 20 seconds, the backlight switches off. Press any button to switch the background lighting on again.

Symbols

Symbol	Description
	Time display: Indication of the current time or a programmed start time Timer mode: The appliance heats in accordance with the enabled time program.
	Comfort mode: The appliance maintains the set comfort temperature. Standard setting: 21.0 °C. Use this setting for comfortable room temperatures when someone is present.
	Setback mode: The appliance maintains the set setback temperature. Standard setting: 18.0 °C. Use this setting e.g. at night or when absent for several hours.
	Frost protection: The frost protection symbol is displayed if the set room temperature is set to 7.0 °C. Use this setting to protect an unused room from frost damage.
	Adaptive start: In timer mode, the heating appliance switching times are adjusted to ensure that, at the programmed start time, the respective set room temperature is already reached. Conditions: The "adaptive start" function is enabled (see chapter "Settings / Standard menu").

Symbol	Description
	Window open detection: To avoid unnecessary energy consumption while venting, the appliance automatically switches to frost protection mode for one hour when a window is open. The "window open detection" symbol flashes. After venting, frost protection mode can be terminated manually by pressing "+". The appliance then heats to the set room temperature again. Conditions: Window open detection is enabled (see chapter "Settings / Standard menu").
	User interface lock: To lock or unlock the user interface, press and hold "+" and "-" simultaneously for 5 seconds.
	Heating enabled: The appliance is heating to maintain the set room temperature.
	Room temperature display
	Editable parameter: The parameter shown can be changed using "+" and "-".
	External input (FP): The appliance can be connected to an external control unit. Depending on the control unit settings, the appliance heats at specific times of the day in comfort, setback or frost protection mode, or does not heat at all.
	Days of the week: 1 = Monday, 2 = Tuesday ... 7 = Sunday

4.2 Switching the appliance on and off

Note
For a short time after initial start-up and after longer breaks in use, a smell may develop.

The appliances is ready for operating as soon as it has been fixed to the installation wall and hard wired to the power supply.

- ▶ Switch the appliance on or off using the ON/OFF switch on the right-hand side of the appliance.
- ▶ Switch the appliance off when not in use for longer periods (e.g. during the summer months).

All settings remain intact after switching off or after an interruption to the power supply. This appliance is equipped with a power reserve that ensures the day of the week and the time are saved for several hours.

Note
If the appliance was in timer mode before being switched off for a longer period of time, you will be prompted to set the day and time after switching it on. Until this setting is made, the appliance will operate in comfort mode.

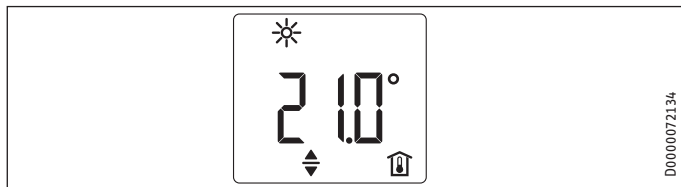
4.3 Standby mode

Material losses
In standby mode, the appliance will not switch on heating under any circumstances. There will be no frost protection.

- ▶ To switch on the programming unit, press "Standby". The standard display appears.
- ▶ To put the programming unit and the heating appliance into standby mode, press "Standby". The display shows "----".

5. Settings

5.1 Standard display



The default display is continuously displayed. If no user action is performed for longer than 20 seconds while in the menu, the appliance automatically switches to the default display.

The default display shows the current set room temperature as well as the "Editable parameter" symbol. You can use "+" and "-" to change the set room temperature.

If the set room temperature corresponds to one of the values set for the comfort or setback temperature, the symbol for the corresponding operating mode (comfort mode, setback mode) appears in the menu bar.

The set room temperature can also be changed manually when in timer mode. The changed set room temperature is maintained until the next programmed switching point is reached.

5.2 Standard menu

To access the standard menu, briefly press "Menu". You can now call up the following menu items:

Display	Description
	Select day of the week and time
	Select comfort temperature The comfort temperature must be set at least 0.5 °C higher than the setback temperature.
	Select setback temperature
	Switch "Window open detection" function on and off
	Select time program (Pro1, Pro2, Pro3, off) or external input (FP)
	Switch "Adaptive start" function on and off

To change the setting of a menu item, call it up by pressing "+" and "-". Press the "OK" button.

As soon as the "Editable parameter" symbol appears, you can change the setting of the menu item with "+" and "-". Press "OK" to save the setting.

To exit the standard menu, briefly press "Menu". The standard display appears.

5.3 Configuration menu

Display	Description
I1-I2	Actual values
Pro1-Pro3	Time programs
P1-P5	Parameters

In the configuration menu, you can call up actual values, program time programs for timer mode and set parameters.

To access the configuration menu, press and hold "Menu". After approx. 3 seconds, actual value I1 is displayed.

Use "+" and "-" to switch between the individual actual values, time programs and parameters.

To exit the configuration menu, briefly press "Menu". The standard display appears.

5.3.1 Actual values

The following actual values can be called up:

Display	Description	Unit
I1	Actual room temperature	[°C] [°F]
I2	Relative heating time (The counter can be reset via parameter P5.)	[h]



Note
The counter for relative heating time (I2) counts in complete hours how long the appliance heats for. When the appliance is switched off, any heating phase of less than 60 minutes is not recorded.

5.3.2 Time programs

There are three time programs available for using the appliance in timer mode. Time programs Pro1 and Pro2 are factory-set. Time program Pro3 can be set according to your individual requirements.

Display	Description
Pro1	Time program "Daily" - Repeated: Monday to Sunday
Pro2	Time program "Weekdays" - Repeated: Monday to Friday
Pro3	Time program "User defined" - up to 14 comfort phases, freely configurable



Note
To use timer mode, select the required time program in the standard menu (see chapter "Settings / Standard menu").



Note
Ensure the day of the week and the time are set correctly when setting the time programs.

OPERATION

Settings



Note

The following applies to all time programs (Pro1, Pro2, Pro3):

If the end time is later than 23:59 h, the end time will automatically be moved to the next day of the week. The comfort phase is maintained past midnight and will end on the next day at the set end time.

Time programs Pro1 and Pro2

You can specify the comfort mode start and end times with time programs Pro1 and Pro2. During this time period, the appliance heats to the set comfort temperature. Outside this specified time period, the appliance operates in setback mode. This results in a comfort and a setback phase that are repeated daily (Pro1) or every weekday (Pro2).

These phases are factory-set as follows:

- 08:00 h - 22:00 h: Comfort mode
- 22:00 h - 08:00 h: Setback mode



Note

When time program Pro2 is enabled, the appliance operates exclusively in setback mode during the weekend.

To adapt time programs Pro1 and Pro2 according to your needs, proceed as follows:

- ▶ In the configuration menu, use "+" and "-" to call up the required time program.
- ▶ Press the "OK" button.
The start time for comfort mode is displayed.
- ▶ Use "+" and "-" to set the required start time.
- ▶ Press the "OK" button.
The end time for comfort mode is displayed.
- ▶ Use "+" and "-" to set the required end time.
- ▶ Press "OK" to save.

Time program Pro3

You can use time program Pro3 to specify up to 14 separate comfort phases which are repeated weekly.

To configure a comfort phase in time program Pro3:

- ▶ In the configuration menu, use "+" and "-" to call up time program Pro3.
- ▶ Press the "OK" button.
The display shows "3---".
- ▶ Press the "OK" button.
A day of the week or a group of days is displayed.
- ▶ Use "+" and "-" to select the required day or group of days.
- ▶ Press the "OK" button.
The start time for comfort mode is displayed.
- ▶ Use "+" and "-" to set the required start time.
- ▶ Press the "OK" button.
The end time for comfort mode is displayed.
- ▶ Use "+" and "-" to set the required end time.

- ▶ Press the "OK" button.
Comfort phase "3-01" has been configured.
- ▶ To configure a further comfort phase, use "+" and "-" in time program Pro3 to select display "3---". Proceed as describe above.



Note

To reset the selected comfort phases, activate parameter P4.

- ▶ Please note that activating parameter P4 resets all time programs (Pro1, Pro2, Pro3) to the factory setting.

5.3.3 Parameters

You can call up the following parameters:

Display	Description	Options
P1	Room temperature offset	± 3 °C ± 5 °F
P2	Time format	12 h 24 h
P3	Temperature display units	°C °F
P4	Reset time programs (timer mode).	on off
P5	Reset relative heating time	on off

To change the value of a parameter, use "+" and "-" to call up the relevant parameter. Press the "OK" button.

As soon as the "Editable parameter" symbol appears, you can change the parameter value with "+" and "-". Press "OK" to save the selected value.

P1: Room temperature offset

Uneven temperature distribution in the room can result in a difference between displayed actual temperature I1 and the room temperature you measure yourself. To compensate for this difference, a room temperature offset of ± 3 °C can be set via parameter P1.

Example: The appliance indicates I1 = 21.0 °C. You have measured a room temperature of 20.0 °C. There is a difference of 1.0 °C.

- ▶ To compensate for the difference, select an offset of P1 = -1.0.

P2: Time format

Parameter P2 is used to specify whether to display the time in 12 hour or 24 hour format.

P3: Temperature display units

Parameter P3 is used to specify whether the room temperature is displayed in degrees Centigrade [°C] or in degrees Fahrenheit [°F].

P4: Reset time programs

Activating parameter P4 resets all time programs to the factory setting.

P5: Reset relative heating time

Activating parameter P5 resets the counter for relative heating time (I2).

6. Cleaning, care and maintenance

The appliance contains no user serviceable parts.



Material losses

- Never spray cleaning spray into the air slot.
- Ensure that no moisture can enter the appliance.

- If a pale brownish discolouration appears on the appliance casing, wipe it off with a damp cloth.
- Clean the appliance when cold with ordinary cleaning products. Avoid abrasive or corrosive cleaning products.



Note

We recommend having the control components checked as part of regular maintenance.

- ▶ Have a qualified contractor check the safety and control components no more than 10 years after commissioning.

7. Troubleshooting

Problem	Cause	Remedy
Room does not get warm enough. Appliance does not get hot.	Temperature set too low on the appliance.	Check the selected room temperature. Adjust if necessary.
	No power supply.	Check position of the ON/OFF switch, RCD and fuse/MCB in your fuse box.
Room does not get warm enough although the appliance is hot.	Overheating. High limit safety cut-out limits heating output.	Eliminate the cause (dirt or obstructions at the air inlet or outlet). Observe minimum clearances.
	The heat demand of the room is higher than appliance output.	Remove heat losses (Close windows and doors. Avoid constant venting.)
Room gets too hot.	Temperature set too high on the appliance.	Check the selected room temperature. Adjust if necessary.
	Detected room temperature does not match actual room temperature.	Avoid obstructions to air change between appliance and indoor air.
Window open detection does not respond.	Appliance does not detect a pronounced temperature drop due to venting. (Window open detection requires previously stable room temperature.)	Wait a while after making settings on the appliance, until the room temperature has fully stabilised.
		Avoid obstructions to air change between appliance and indoor air.
		Manually switch the appliance into standby mode for the duration of venting.
"Adaptive start" function does not work as required.	Window open detection is not enabled.	Switch on window open detection in the standard menu.
	This function is only effective in timer mode.	Use the timer mode for optimised heating convenience.
	Severely fluctuating room temperature or the appliance learning procedure has not been completed.	Wait a few days for behaviour to stabilise.
	"Adaptive start" function is not enabled.	Switch on the "Adaptive start" function in the standard menu.

Problem	Cause	Remedy
Appliance is in "FP" program but does not respond to external input.	When the appliance does not detect a signal at the external input, it heats in comfort mode.	Check external control unit and its settings. Wiring must be installed correctly and with correct polarity.
"Err" or "E..." is displayed.	Internal fault detected.	Notify the qualified contractor.

If you cannot remedy the fault, contact your qualified contractor. To facilitate and speed up your request, provide the number from the type plate (000000-0000-000000).

INSTALLATION

8. Safety

Only a qualified contractor should carry out installation, commissioning, maintenance and repair of the appliance.

8.1 General safety instructions

We guarantee trouble-free function and operational reliability only if original accessories and spare parts intended for the appliance are used.



CAUTION Burns

- Only mount the appliance on a vertical wall that is temperature-resistant to at least 85 °C.
- Maintain the minimum clearances to adjacent objects.



Material losses

- Never install the appliance directly below a wall socket.
- Ensure that the power cable is not in contact with any appliance components.

8.2 Instructions, standards and regulations



Note

Observe all applicable national and regional regulations and instructions.

9. Appliance description

9.1 Standard delivery

The following are delivered with the appliance:

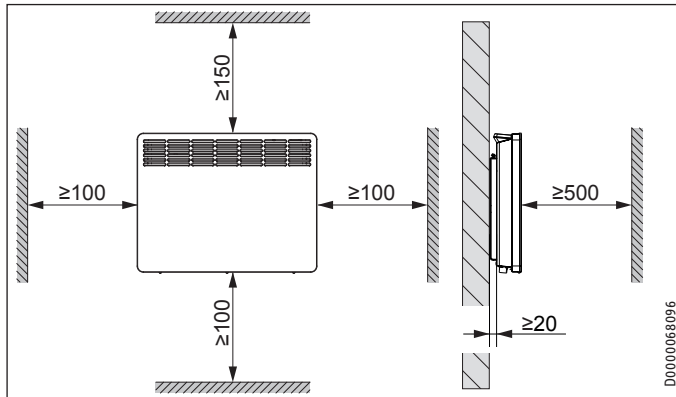
- Wall mounting bracket (hooked into the appliance)

INSTALLATION

Installation

10. Installation

10.1 Minimum clearances



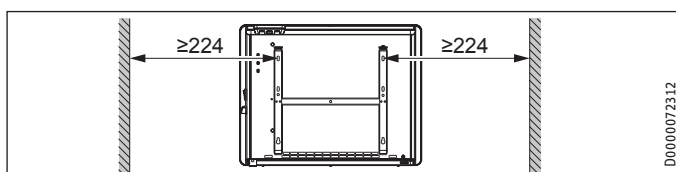
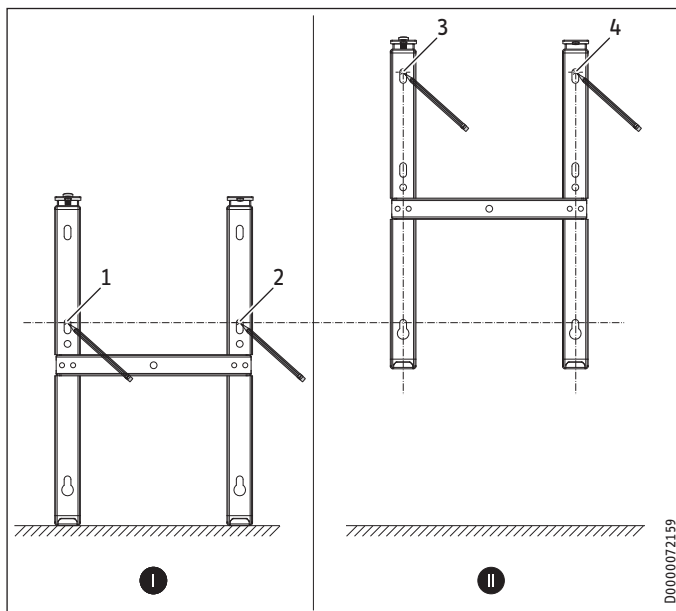
10.2 Installing the wall mounting bracket

The appliance is intended for wall mounting using the wall mounting bracket supplied. The appliance may only be installed horizontally.



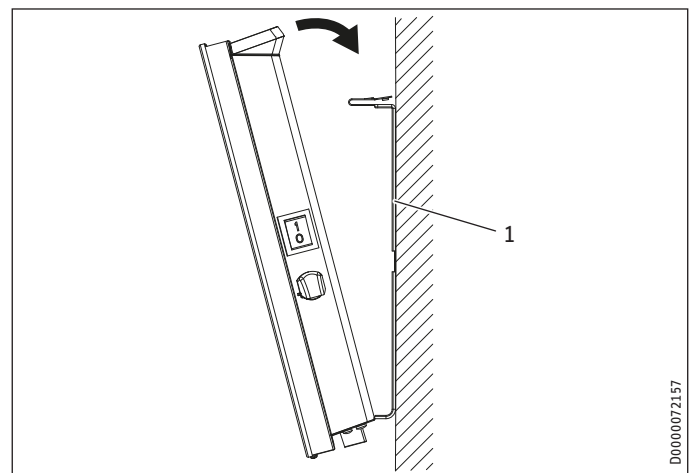
Note

- The wall mounting bracket can be used as a template for wall mounting. This ensures sufficient clearance from the floor.
- Use a spirit level if the floor is uneven or sloping.



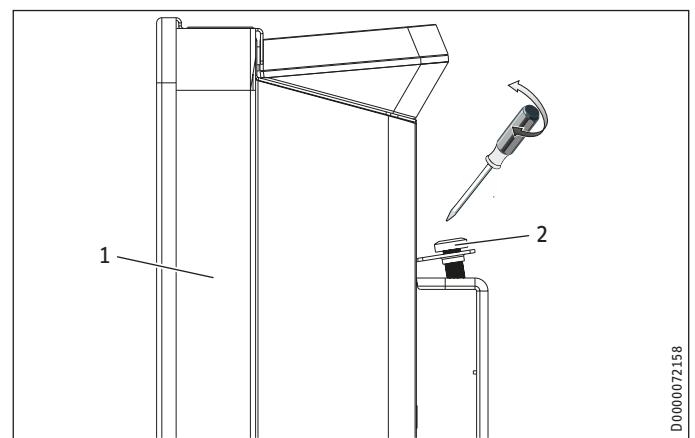
- ▶ Unhook the wall mounting bracket from the appliance.
- ▶ Place the centred wall mounting bracket horizontally on the floor. Mark holes 1 and 2.
- ▶ Lift up the wall mounting bracket so that its lower holes match up with the markings you have just made on the installation wall.
- ▶ Mark holes 3 and 4 on the installation wall.
- ▶ Drill the holes at the 4 markings.
- ▶ Secure the wall mounting bracket with suitable fixing materials (screws, rawl plugs). With the vertical slots, you can compensate for an offset fixing hole.

10.3 Appliance installation



1 Wall mounting bracket

- ▶ Hook the appliance onto the bottom tabs of the wall mounting bracket by the slots in the back of the appliance.
- ▶ Place the appliance in an upright position.
- ▶ Secure the appliance by pushing it towards the wall until it audibly snaps into place in the two upper springs on the wall mounting bracket.



1 Appliance 2 Locking screw

- ▶ Secure the appliance against unintentional release using the supplied locking screw on the left-hand side of the wall mounting bracket.

INSTALLATION

Commissioning

10.4 Removing the appliance

- ▶ Undo and remove the locking screw from the wall mounting bracket.
- ▶ To release the appliance, push down the springs at the top of the wall mounting bracket.
- ▶ Tilt the appliance away from the wall and lift it off the bottom tabs on the wall mounting bracket.

10.5 Electrical connection



WARNING Electrocutation

- Carry out all electrical connection and installation work in accordance with relevant regulations.
- In the case of a permanent connection, the appliance must be able to be separated from the power supply by an isolator that disconnects all poles with at least 3 mm contact separation.
- Do not install the appliance with a fixed power cable.

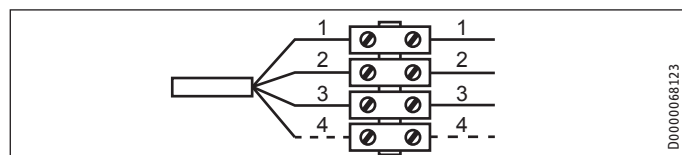


Note

- Observe the type plate. The specified voltage must match the mains voltage.
- Ensure the on-site supply cable has an adequate cross-section.

The appliance is delivered with a power cable without a plug.

- ▶ Connect the 4-core cable to a connection socket as illustrated:



- 1 Neutral conductor = blue
- 2 Live = brown
- 3 Earth conductor = green/yellow
- 4 Control cable = black

There are 3 possible ways to connect the appliance:

- Appliance connection without control cable

Unregulated appliance. The control cable is not connected. In this case, insulate the control cable.

- Temperature setback via control cable

To reduce the temperature to the set setback temperature, the black control cable is activated via an external electronic contact (e.g. a time switch).

- Control cable connected to external control unit

The appliance can be connected to any control unit that issues the following waveforms as control signals.

Instruction	Oscilloscope	Operating mode	Heating temperature
No electrical power		Comfort mode	Subject to set comfort temperature
Complete oscillation 230 V		Setback mode	Subject to set setback temperature
Semi-oscillation negative -115 V		Frost protection	Frost protection temperature
Semi-oscillation positive +115 V		Stop	None
Full oscillation 230 V for 3 seconds		Comfort mode -1 °C	1 °C less than the set comfort temperature
Full oscillation 230 V for 7 seconds		Comfort mode -2 °C	2 °C less than the set comfort temperature

11. Commissioning

The appliances is ready for operating as soon as it has been fixed to the installation wall and hard wired to the power supply.

- ▶ Remove the protective film from the programming unit.

12. Troubleshooting

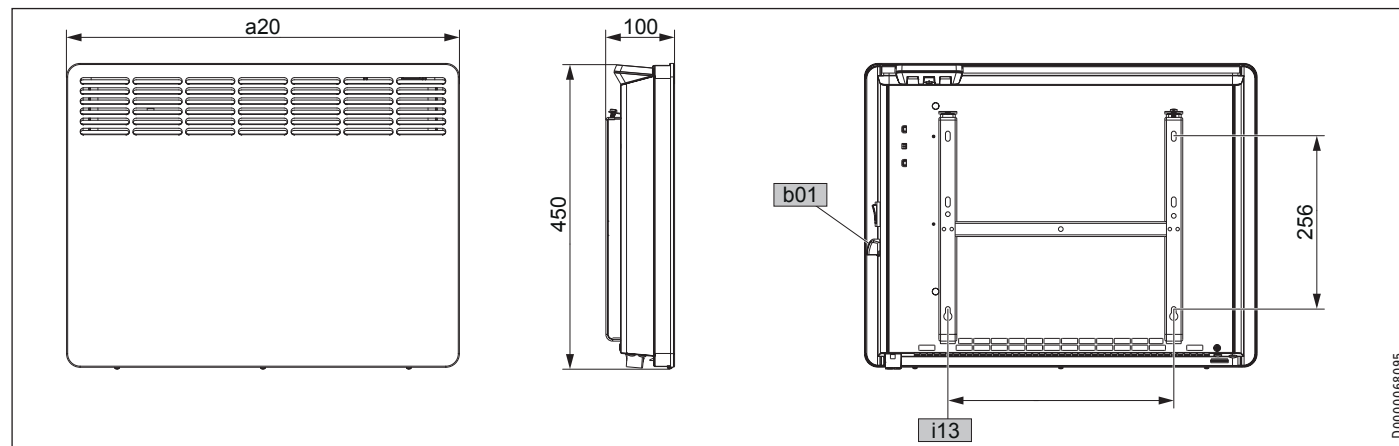
The power cable must only be replaced (for example if damaged) by a qualified contractor authorised by the manufacturer, using an original spare part.

13. Appliance handover

Explain the functions of the appliance to the user. Draw special attention to the safety instructions. Hand over the operating and installation instructions to the user.

14. Specification

14.1 Dimensions and connections



				CNS 50 Trend UK	CNS 75 Trend UK	CNS 100 Trend UK	CNS 150 Trend UK	CNS 200 Trend UK	CNS 250 Trend UK	CNS 300 Trend UK
a20	Appliance	Width	mm	348	426	426	582	738	894	1050
b01	Entry electrical cables									
i13	Wall mounting bracket	Horizontal hole spacing	mm	101	179	179	335	491	647	803

14.2 Energy consumption data

The product data complies with EU regulations relating to the Directive on the ecodesign of energy related products (ErP).

Product information on electric individual room heaters to regulation (EU) 2015/1188

		CNS 50 Trend UK	CNS 75 Trend UK	CNS 100 Trend UK	CNS 150 Trend UK	CNS 200 Trend UK	CNS 250 Trend UK	CNS 300 Trend UK
		236559	236560	236561	236562	236563	236564	236565
Manufacturer		STIEBEL ELTRON	STIEBEL ELTRON	STIEBEL ELTRON	STIEBEL ELTRON	STIEBEL ELTRON	STIEBEL ELTRON	STIEBEL ELTRON
Heating output								
Rated heating output P_{nom}	kW	0.5	0.8	1.0	1.5	2.0	2.5	3.0
Minimum heating output (standard value) P_{min}	kW	0.0	0.0	0.0	0.0	0.0	0.0	0.0
Maximum continuous heating output $P_{max,c}$	kW	0.5	0.8	1.0	1.5	2.0	2.5	3.0
Auxiliary power consumption								
At rated heating output $e_{l,max}$	kW	0.000	0.000	0.000	0.000	0.000	0.000	0.000
At minimum heating output $e_{l,min}$	kW	0.000	0.000	0.000	0.000	0.000	0.000	0.000
In standby $e_{l,SB}$	kW	0.000	0.000	0.000	0.000	0.000	0.000	0.000
Type of heating output/room temperature control								
Single stage heating output, no room temperature control		-	-	-	-	-	-	-
Two or more manually selectable stages, no room temperature control		-	-	-	-	-	-	-
Room temperature control with mechanical thermostat		-	-	-	-	-	-	-
With electronic room temperature control		-	-	-	-	-	-	-
Electronic room temperature control and time of day control		-	-	-	-	-	-	-
Electronic room temperature control and day of week control		x	x	x	x	x	x	x
Other control options								
Room temperature control with presence detection		-	-	-	-	-	-	-
Room temperature control with window open detection		x	x	x	x	x	x	x
With remote control option		-	-	-	-	-	-	-
With adaptive control of heating start		x	x	x	x	x	x	x
With operating time limitation		-	-	-	-	-	-	-
With black bulb sensor		-	-	-	-	-	-	-

INSTALLATION Specification

14.3 Data table

		CNS 50 Trend UK	CNS 75 Trend UK	CNS 100 Trend UK	CNS 150 Trend UK	CNS 200 Trend UK	CNS 250 Trend UK	CNS 300 Trend UK
		236559	236560	236561	236562	236563	236564	236565
Electrical data								
Connected load	W	500	750	1000	1500	2000	2500	3000
Power supply		1/N/PE ~ 240 V	1/N/PE ~ 240 V	1/N/PE ~ 240 V	1/N/PE ~ 240 V	1/N/PE ~ 240 V	1/N/PE ~ 240 V	1/N/PE ~ 240 V
Voltage range	V	230-240	230-240	230-240	230-240	230-240	230-240	230-240
Rated current	A	2.1	3.1	4.2	6.3	8.3	10.4	12.5
Frequency	Hz	50/-	50/-	50/-	50/-	50/-	50/-	50/-
Energy data								
Room heating seasonal efficiency η_s	%	39	39	39	39	39	39	39
Dimensions								
Height	mm	450	450	450	450	450	450	450
Width	mm	348	426	426	582	738	894	1050
Depth	mm	100	100	100	100	100	100	100
Weights								
Weight	kg	4.0	4.6	4.6	6.0	7.7	9.2	10.9
Versions								
Frost protection setting	°C	7	7	7	7	7	7	7
Version		Wall mounted appliance	Wall mounted appliance	Wall mounted appliance	Wall mounted appliance	Wall mounted appliance	Wall mounted appliance	Wall mounted appliance
IP rating		IP24	IP24	IP24	IP24	IP24	IP24	IP24
Protection class		I	I	I	I	I	I	I
Colour		Alpine white	Alpine white	Alpine white	Alpine white	Alpine white	Alpine white	Alpine white
Values								
Setting range	°C	5-30	5-30	5-30	5-30	5-30	5-30	5-30

Guarantee

The guarantee conditions of our German companies do not apply to appliances acquired outside of Germany. In countries where our subsidiaries sell our products a guarantee can only be issued by those subsidiaries. Such guarantee is only granted if the subsidiary has issued its own terms of guarantee. No other guarantee will be granted.

We shall not provide any guarantee for appliances acquired in countries where we have no subsidiary to sell our products. This will not affect warranties issued by any importers.

Environment and recycling

We would ask you to help protect the environment. After use, dispose of the various materials in accordance with national regulations.

NOTES

NOTES

Deutschland

STIEBEL ELTRON GmbH & Co. KG
Dr.-Stiebel-Straße 33 | 37603 Holzminden
Tel. 05531 702-0 | Fax 05531 702-480
info@stiebel-eltron.de
www.stiebel-eltron.de

Verkauf

Tel. 05531 702-110 | Fax 05531 702-95108 | info-center@stiebel-eltron.de

Kundendienst

Tel. 05531 702-111 | Fax 05531 702-95890 | kundendienst@stiebel-eltron.de

Ersatzteilverkauf

Tel. 05531 702-120 | Fax 05531 702-95335 | ersatzteile@stiebel-eltron.de

Australia

STIEBEL ELTRON Australia Pty. Ltd.
294 Salmon Street | Port Melbourne VIC 3207
Tel. 03 9645-1833 | Fax 03 9644-5091
info@stiebel-eltron.com.au
www.stiebel-eltron.com.au

Austria

STIEBEL ELTRON Ges.m.b.H.
Gewerbegebiet Neubau-Nord
Margaritenstraße 4 A | 4063 Hörsching
Tel. 07221 74600-0 | Fax 07221 74600-42
info@stiebel-eltron.at
www.stiebel-eltron.at

Belgium

STIEBEL ELTRON bvba/sprl
't Hofveld 6 - D1 | 1702 Groot-Bijgaarden
Tel. 02 42322-22 | Fax 02 42322-12
info@stiebel-eltron.be
www.stiebel-eltron.be

China

STIEBEL ELTRON (Tianjin) Electric Appliance Co., Ltd.
Plant C3, XEDA International Industry City
Xiqing Economic Development Area
300085 Tianjin
Tel. 022 8396 2077 | Fax 022 8396 2075
info@stiebel-eltron.cn
www.stiebel-eltron.cn

Czech Republic

STIEBEL ELTRON spol. s r.o.
Dopraváků 749/3 | 184 00 Praha 8
Tel. 251116-111 | Fax 235512-122
info@stiebel-eltron.cz
www.stiebel-eltron.cz

Finland

STIEBEL ELTRON OY
Kapinakuja 1 | 04600 Mäntsälä
Tel. 020 720-9988
info@stiebel-eltron.fi
www.stiebel-eltron.fi

France

STIEBEL ELTRON SAS
7-9, rue des Selliers
B.P 85107 | 57073 Metz-Cédex 3
Tel. 0387 7438-88 | Fax 0387 7468-26
info@stiebel-eltron.fr
www.stiebel-eltron.fr

Hungary

STIEBEL ELTRON Kft.
Gyár u. 2 | 2040 Budaörs
Tel. 01 250-6055 | Fax 01 368-8097
info@stiebel-eltron.hu
www.stiebel-eltron.hu

Japan

NIHON STIEBEL Co. Ltd.
Kowa Kawasaki Nishiguchi Building 8F
66-2 Horikawa-Cho
Saiwai-Ku | 212-0013 Kawasaki
Tel. 044 540-3200 | Fax 044 540-3210
info@nihonstiebel.co.jp
www.nihonstiebel.co.jp

Netherlands

STIEBEL ELTRON Nederland B.V.
Daviottenweg 36 | 5222 BH 's-Hertogenbosch
Tel. 073 623-0000 | Fax 073 623-1141
info@stiebel-eltron.nl
www.stiebel-eltron.nl

Poland

STIEBEL ELTRON Polska Sp. z O.O.
ul. Działkowa 2 | 02-234 Warszawa
Tel. 022 60920-30 | Fax 022 60920-29
biuro@stiebel-eltron.pl
www.stiebel-eltron.pl

Russia

STIEBEL ELTRON LLC RUSSIA
Urzhumskaya street 4,
building 2 | 129343 Moscow
Tel. 0495 7753889 | Fax 0495 7753887
info@stiebel-eltron.ru
www.stiebel-eltron.ru

Slovakia

STIEBEL ELTRON Slovakia, s.r.o.
Hlavná 1 | 058 01 Poprad
Tel. 052 7127-125 | Fax 052 7127-148
info@stiebel-eltron.sk
www.stiebel-eltron.sk

Switzerland

STIEBEL ELTRON AG
Industrie West
Gass 8 | 5242 Lupfig
Tel. 056 4640-500 | Fax 056 4640-501
info@stiebel-eltron.ch
www.stiebel-eltron.ch

Thailand

STIEBEL ELTRON Asia Ltd.
469 Moo 2 Tambol Klong-Jik
Amphur Bangpa-In | 13160 Ayutthaya
Tel. 035 220088 | Fax 035 221188
info@stiebel-eltronasia.com
www.stiebel-eltronasia.com

United Kingdom and Ireland

STIEBEL ELTRON UK Ltd.
Unit 12 Stadium Court
Stadium Road | CH62 3RP Bromborough
Tel. 0151 346-2300 | Fax 0151 334-2913
info@stiebel-eltron.co.uk
www.stiebel-eltron.co.uk

United States of America

STIEBEL ELTRON, Inc.
17 West Street | 01088 West Hatfield MA
Tel. 0413 247-3380 | Fax 0413 247-3369
info@stiebel-eltron-usa.com
www.stiebel-eltron-usa.com

STIEBEL ELTRON



Irrtum und technische Änderungen vorbehalten! | Subject to errors and technical changes! | Sous réserve d'erreurs et de modifications techniques! | Onder voorbehoud van vergissingen en technische wijzigingen! | Salvo error o modificación técnica! | Excepto erro ou alteração técnica | Zastrzeżone zmiany techniczne i ewentualne błędy | Omyly a technické změny jsou vyhrazeny! | A muszáki változtatások és tévedések jogát fenntartjuk! | Отсутствие ошибок не гарантируется. Возможны технические изменения. | Chyby a technické zmeny sú vyhradené! | Stand 9535