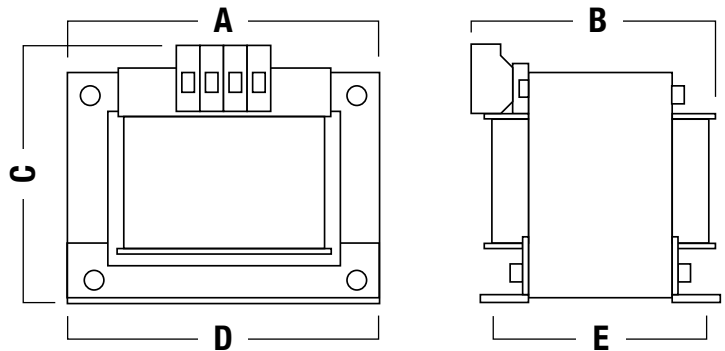




# Panel Transformers

## Specifications and Dimensions

- Control Transformer: Class 1 Isolation Transformer with Earth Screen between Primary and Secondary
- Standard: IEC / BS-EN 61558
- Primary Voltages: 0-220-230-240V Or 0-380-400-415V
- Secondary Voltages: One of the following- 12V, 24V, 48V, 110V, 240V
- Frequency: 50/60Hz
- Insulation Class: B
- Insulation Resistance: > 5 Meg  $\Omega$
- Dielectric Strength:
  - Primary to Secondary >2.5kV
  - Primary to Earth >2.5kV
  - Secondary to Earth >2.5kV
- Ambient Temperature: 40°C
- MTBF: 200,000hrs



Part No.	VA	Primary Input	Secondary Output	Dimensions (mm)					Weight (KG)
				A	B	C	D	E	
ERSCT50	50	230V / 400V	12V / 24V / 48V / 110V / 240V	76	70	86	56	47	1.1
ERSCT100	100	230V / 400V	12V / 24V / 48V / 110V / 240V	84	78	95	64	63	2.1
ERSCT150	150	230V / 400V	12V / 24V / 48V / 110V / 240V	96	76	102	84	65	2.25
ERSCT200	200	230V / 400V	12V / 24V / 48V / 110V / 240V	96	86	102	84	72	2.8
ERSCT250	250	230V / 400V	12V / 24V / 48V / 110V / 240V	96	101	102	84	90	3.7
ERSCT300	300	230V / 400V	12V / 24V / 48V / 110V / 240V	120	88	122	90	73	4.4
ERSCT400	400	230V / 400V	12V / 24V / 48V / 110V / 240V	120	100	122	90	85	5.3
ERSCT500	500	230V / 400V	12V / 24V / 48V / 110V / 240V	120	120	122	90	106	6.5
ERSCT1000	1000	230V / 400V	12V / 24V / 48V / 110V / 240V	150	161	140	122	106	10.0

For any further comments or assistance please contact:

[eris-eu.com](http://eris-eu.com)