



**UK
CA** **CE**

4 Pole Larger Plastic Enclosed Switch-Disconnecter (IP65)

Technical Data

CB, CE & SEMKO Approved, UL508, IEC & EN 60947-1 and 3

Data	Range	Units	Part Number			
			ERSP254L	ERSP324L	ERSP404L	
Rated operational voltage Ue						
IEC & EN	Volts	V	690	690	690	
UL	Volts	V	600	600	600	
Main switch: Isolating voltage up to	Volts	V	750	750	750	
Rated impulse withstand voltage Uimp	Volts	kV	6	6	6	
Rated uninterrupted current Iu	Amps	A	20	25	32	
Rated operational current Ie						
IEC & EN	AC-22A	Up to 690V	A	20	25	32
	AC-21A	Up to 690V	A	25	32	40
	AC-1	Up to 690V	A	25	32	40

For any further comments or assistance please contact:

eris-eu.com

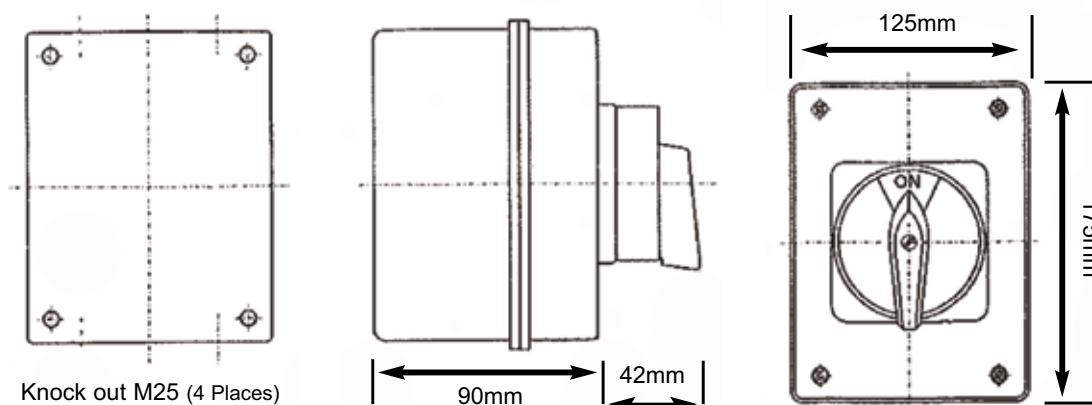


Data		Range	Units	Part Number		
				ERSP254L	ERSP324L	ERSP404L
Rated operational power AC-23A (50-60Hz)						
IEC & EN	3 Phase	230(240)V	kW	7.5	11	15
		400(415)V	kW	11	15	18.5
		690V	kW	15	22	22
Rated operational power AC-3 (50-60Hz)						
IEC & EN	3 Phase	230(240)V	kW	5.5	7.5	11
		400(415)V	kW	7.5	11	11
		690V	kW	11	15	15
UL Power Rating						
DOL	3 Phase	120V	hp	1.5	3	3
		240V	hp	3	7.5	7.5
		480V	hp	7.5	15	20
		600V	hp	10	20	25
	1 Phase	120V	hp	0.5	1.5	2
		240V	hp	1.5	2	3
UL Short Circuit Ratings						
Fuse rating, class J		Amps	A	-	45	45
Fuse rating, class RK5		Amps	A	20	-	-
Rated Fused short circuit current		Amps	kA	10	10	10
Short Circuit Capacity (IEC)						
Max fuse size (Type gI)		Amps	A	20	32	32
Rated Fused short circuit current		Amps	kA	5	30	30
Terminal Specification						
Single/ Multiple strand wire			Min-mm ²	2.5	2.5	2.5
			Max-mm ²	10	10	25
Fine strand with sleeve			Min-mm ²	0.75	0.75	0.75
			Max-mm ²	6	6	6
American wire gauge			AWG	10	10	10
Recommended Tightening Torque			Nm	1.7	1.7	1.7

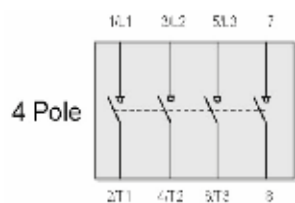
For any further comments or assistance please contact:



Dimensions



Terminal Configuration



For any further comments or assistance please contact:

eris-eu.com