



Data Sheet

3 & 4 Pole IP54 Metal Clad Enclosed Switch-Disconnectors

ERSM32/63/803-IP54 & ERSM32/63/804-IP54

Important Safety Notice

It is the responsibility of the person installing the electrical equipment to ensure that the installation meets the requirements of the IET wiring regulations and is therefore 'fit for purpose'. Factors such as correct selection of components, cable sizing, protective devices and Earth bonding are all critical and should be checked prior to full testing and power-up. Any other regulations applicable to the equipment being installed such as the Machinery Directive and current health and safety legislation must also be adhered to. Terminals, including factory fitted, should be checked periodically to ensure correct tightness.

DO NOT USE POWER TOOLS ON THESE PRODUCTS

Approvals	CB, CE & SEMKO
UL Standard	UL508
International/European Standard	IEC & EN 60947-1 and 3

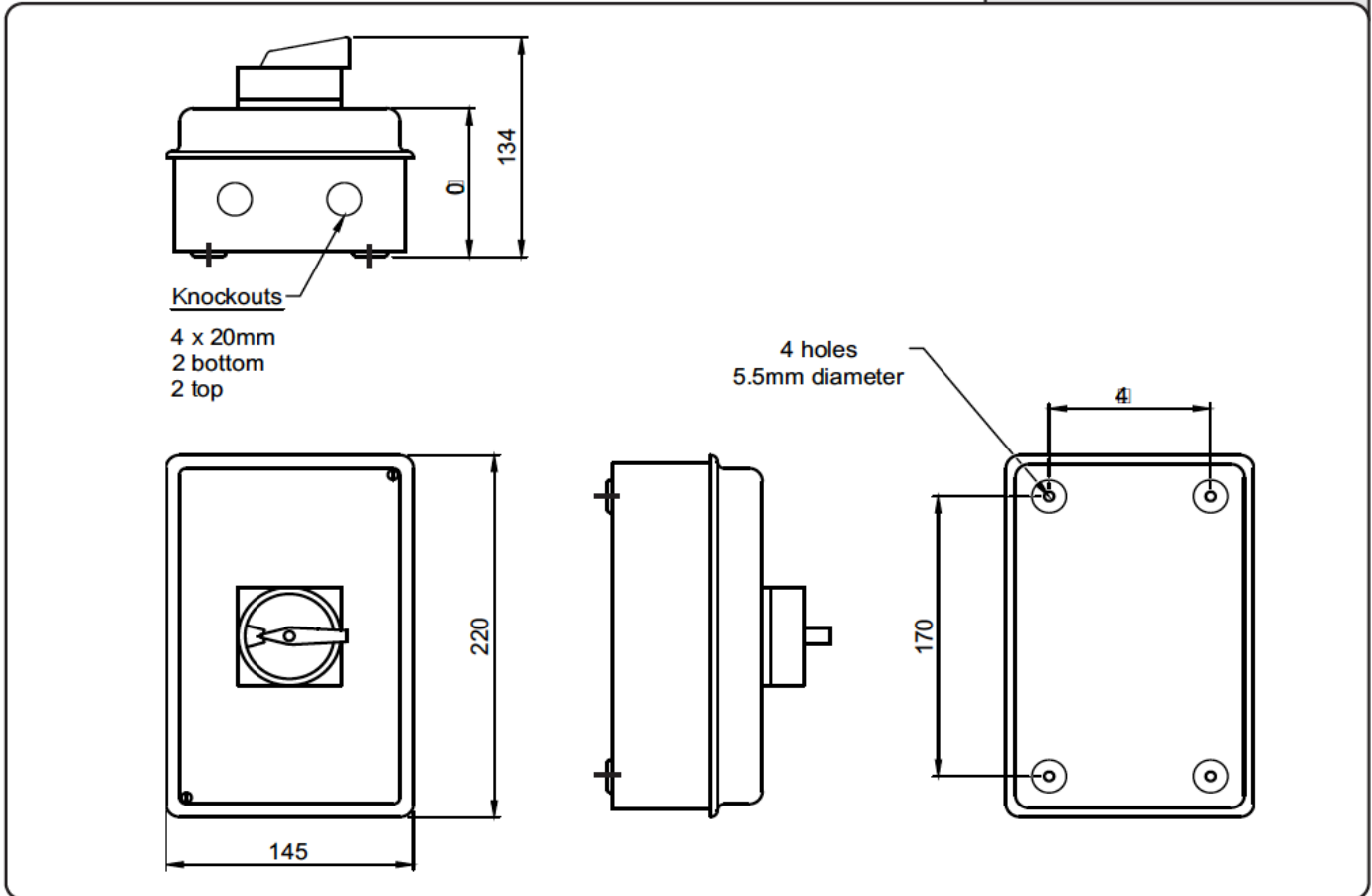
DATA	Range	Units	ERSM323-IP54 ERSM324-IP54	ERSM633-IP54 ERSM634-IP54	ERSM803-IP54 ERSM804-IP54	
Rated operational voltage U_e						
IEC & EN	Volts	V	690	690	690	
UL	Volts	V	600	600	600	
Main switch: Isolating voltage up to	Volts	V	750	750	750	
Rated impulse withstand voltage U_{imp}	Volts	kV	6	6	6	
Rated uninterrupted current I_u	Amps	A	25	40	63	
Rated operational current I_e						
IEC & EN	AC-22A	Up to 690V	A	25	40	63
	AC-21A	Up to 690V	A	32	63	80
	AC-1	Up to 690V	A	32	63	80
Rated operational power AC-23A (50-60Hz)						
IEC & EN	3 Phase	230(240)V	kW	11	22	30
		400(415)V	kW	15	30	37
		690V	kW	22	45	45
Rated operational power AC-3 (50-60Hz)						
IEC & EN	3 Phase	230(240)V	kW	7.5	15	22
		400(415)V	kW	11	18.5	22
		690V	kW	15	30	30
UL Power Rating						
DOL	3 Phase	120V	hp	3	5	7.5
		240V	hp	7.5	10	15
		480V	hp	15	20	25
		600V	hp	20	30	30
	1 Phase	120V	hp	1.5	3	3
		240V	hp	2	5	7.5
UL Short Circuit Ratings						
Fuse rating, class J	Amps	A	45	70	70	
Fuse rating, class RK5	Amps	A	-	-	-	
Rated Fused short circuit current	Amps	kA	10	10	10	
Short Circuit Capacity (IEC)						
Max fuse size (Type gl)	Amps	A	32	63	63	
Rated Fused short circuit current	Amps	kA	30	30	30	
Terminal Specification						
Single/ Multiple strand wire	Min-mm ²		2.5	2.5	2.5	
	Max-mm ²		10	25	25	
Fine strand with sleeve	Min-mm ²		0.75	2.5	2.5	
	Max-mm ²		6	10	10	
American wire gauge		AWG	10	6	6	
Recommended Tightening Torque		Nm	1.7	2.0	2.0	

eris Data Sheet

3 & 4 Pole IP54 Metal Clad Enclosed Switch-Disconnectors

ERSM32/63/803-IP54 & ERSM32/63/804-IP54

Enclosure Dimensions:



Terminal Configuration

