



## 4 Pole Metal Clad Enclosed Switch-Disconnectors (IP54)

### Technical Data

CB, CE & SEMKO Approved, UL508, IEC & EN 60947-1 and 3

Data	Range	Units	Part Number					
			ERSM324-IP54	ERSM634-IP54	ERSM804-IP54	ERSM1004-IP54	ERSM1254-IP54	
<b>Rated operational voltage <math>U_e</math></b>								
IEC & EN	Volts	V	690	690	690	690	690	
UL	Volts	V	600	600	600	600	600	
Main switch: Isolating voltage up to	Volts	V	750	750	750	750	750	
Rated impulse withstand voltage $U_{imp}$	Volts	kV	6	6	6	6	6	
Rated uninterrupted current $I_u$	Amps	A	25	40	63	100	125	
<b>Rated operational current <math>I_e</math></b>								
IEC & EN	AC-22A	Up to 690V	A	25	40	63	100	125
	AC-21A	Up to 690V	A	32	63	80	100	125
	AC-1	Up to 690V	A	32	63	80	100	125

For any further comments or assistance please contact:

**[eris-eu.com](http://eris-eu.com)**



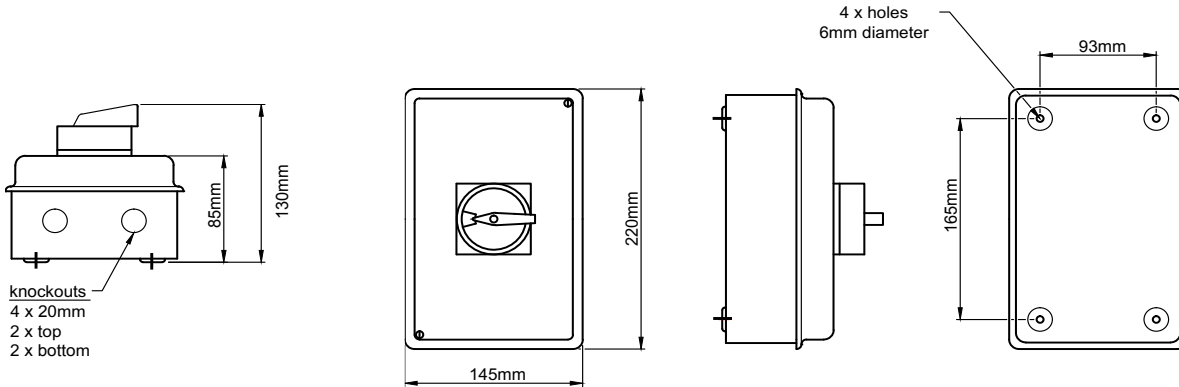
Data		Range	Units	Part Number				
				ERSM324-IP54	ERSM634-IP54	ERSM804-IP54	ERSM1004-IP54	ERSM1254-IP54
<b>Rated operational power AC-23A (50-60Hz)</b>								
IEC & EN	3 Phase	230(240)V	kW	11	22	30	45	55
		400(415)V	kW	15	30	37	55	75
		690V	kW	22	45	45	90	90
<b>Rated operational power AC-3 (50-60Hz)</b>								
IEC & EN	3 Phase	230(240)V	kW	7.5	15	22	37	45
		400(415)V	kW	11	18.5	22	45	55
		690V	kW	15	30	30	55	55
<b>UL Power Rating</b>								
DOL	3 Phase	120V	hp	3	5	7.5	7.5	7.5
		240V	hp	7.5	10	15	20	30
		480V	hp	15	20	25	30	40
		600V	hp	20	30	30	40	50
	1 Phase	120V	hp	1.5	3	3	3	3
		240V	hp	2	5	7.5	7.5	7.5
<b>UL Short Circuit Ratings</b>								
Fuse rating, class J	Amps	A	45	70	70	125	125	
Fuse rating, class RK5	Amps	A	-	-	-	-	-	
Rated Fused short circuit current	Amps	kA	10	10	10	10	10	
<b>Short Circuit Capacity (IEC)</b>								
Max fuse size (Type gI)	Amps	A	32	63	125	125	125	
Rated Fused short circuit current	Amps	kA	30	30	30	30	30	
<b>Terminal Specification</b>								
Single/ Multiple strand wire	Min-mm <sup>2</sup>	2.5	2.5	2.5	2.5	2.5		
	Max-mm <sup>2</sup>	10	25	25	50	50		
Fine strand with sleeve	Min-mm <sup>2</sup>	0.75	2.5	2.5	4	4		
	Max-mm <sup>2</sup>	6	10	10	50	50		
American wire gauge	AWG	10	6	6	1	1		
Recommended Tightening Torque	Nm	1.7	2.0	2.0	2.5	2.5		

For any further comments or assistance please contact:

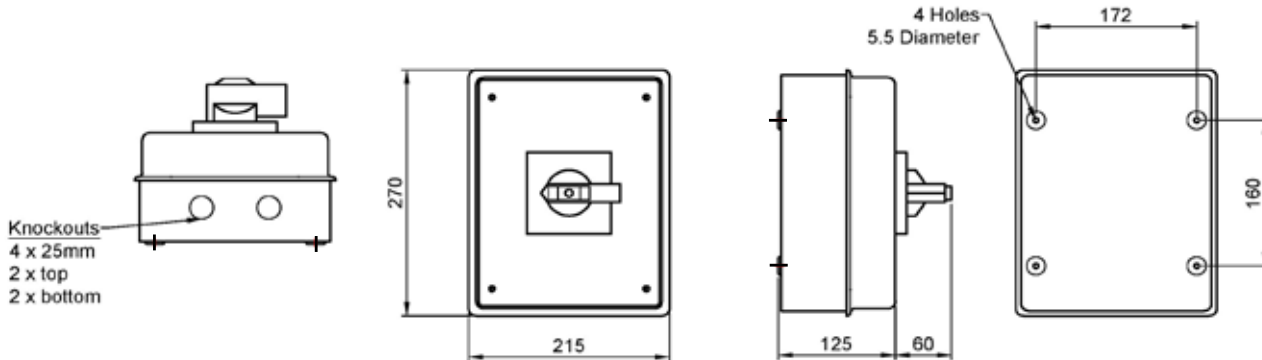


# Dimensions

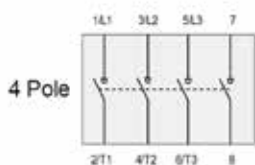
ERSM324-IP54, ERSM634-IP54, ERSM804-IP54



ERSM1004-IP54 and ERSM1254-IP54



# Terminal Configuration



For any further comments or assistance please contact:

[eris-eu.com](http://eris-eu.com)