



## 4 Pole Stainless Steel Enclosed Switch-Disconnectors (IP65)

### Technical Data

- IP65 Rated
- IEC/EN 60947-3
- Grade 304 Brushed Stainless Steel
- Fully Earth Bonded

Data	Range	Units	Part Number		
			ERS324SS	ERS634SS	
<b>Rated operational voltage <math>U_e</math></b>					
IEC & EN	Volts	V	690	690	
UL	Volts	V	600	600	
Main switch: Isolating voltage up to	Volts	V	750	750	
Rated impulse withstand voltage $U_{imp}$	Volts	kV	6	6	
Rated uninterrupted current $I_u$	Amps	A	32	63	
<b>Rated operational current <math>I_e</math></b>					
IEC & EN	AC-22A	Up to 690V	A	32	63
	AC-21A	Up to 690V	A	40	80
	AC-1	Up to 690V	A	40	80

For any further comments or assistance please contact:

**[eris-eu.com](http://eris-eu.com)**



Data		Range	Units	Part Number	
				ERS324SS	ERS634SS
<b>Rated operational power AC-23A (50-60Hz)</b>					
IEC & EN	3 Phase	230(240)V	kW	15	30
		400(415)V	kW	18.5	37
		690V	kW	22	45
<b>Rated operational power AC-3 (50-60Hz)</b>					
IEC & EN	3 Phase	230(240)V	kW	11	22
		400(415)V	kW	11	22
		690V	kW	15	30
<b>UL Power Rating</b>					
DOL	3 Phase	120V	hp	3	7.5
		240V	hp	7.5	15
		480V	hp	20	25
		600V	hp	25	30
	1 Phase	120V	hp	2	3
		240V	hp	3	7.5
<b>UL Short Circuit Ratings</b>					
Fuse rating, class J		Amps	A	45	70
Fuse rating, class RK5		Amps	A	-	-
Rated Fused short circuit current		Amps	kA	10	10
<b>Short Circuit Capacity (IEC)</b>					
Max fuse size (Type gI)		Amps	A	32	63
Rated Fused short circuit current		Amps	kA	30	30
<b>Terminal Specification</b>					
Single/ Multiple strand wire			Min-mm <sup>2</sup>	2.5	2.5
			Max-mm <sup>2</sup>	10	25
Fine strand with sleeve			Min-mm <sup>2</sup>	0.75	2.5
			Max-mm <sup>2</sup>	6	10
American wire gauge			AWG	10	6
Recommended Tightening Torque			Nm	1.7	2.0

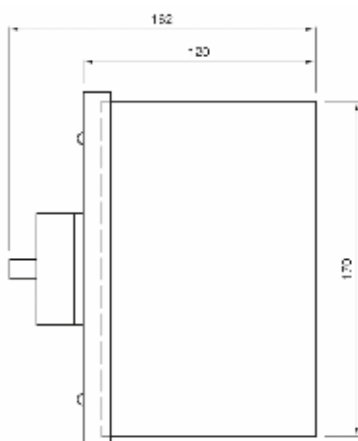
For any further comments or assistance please contact:

[eris-eu.com](http://eris-eu.com)

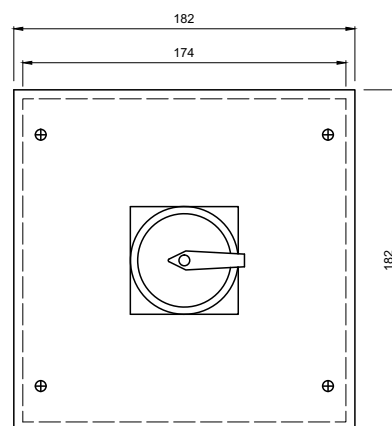
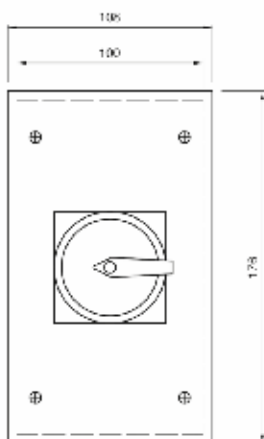
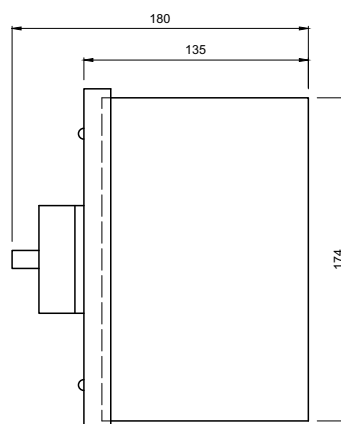


## Dimensions

Part Number:  
ERS324SS

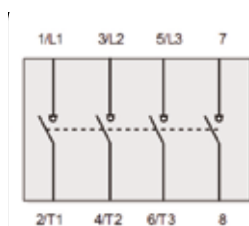


Part Number:  
ERS634SS



## Terminal Configuration

4P Switch  
Configuration



For any further comments or assistance please contact:

**[eris-eu.com](http://eris-eu.com)**