



LS ELECTRIC

M100

**General Purpose Variable
Frequency Micro Drive
For 3-phase motors**

1-phase 230V input, 0.1 ~ 2.2KW

Part Number

LV **0004** **M100** - **1** **E** **O** **F** **N** **S**

LS Low Voltage Series	Motor Rating	Series Name	Input Voltage	Keypad	Enclosure	EMC Filter	Reactor	I/O mm
	0001: 0.1KW		1: 1-ph 200~240	E: LED	O: IP20	F: EMC filter built in	N: None	S: Std I/O A: Adv I/O
	0004: 0.4KW							
	0022: 2.2KW							

Specifications and Features

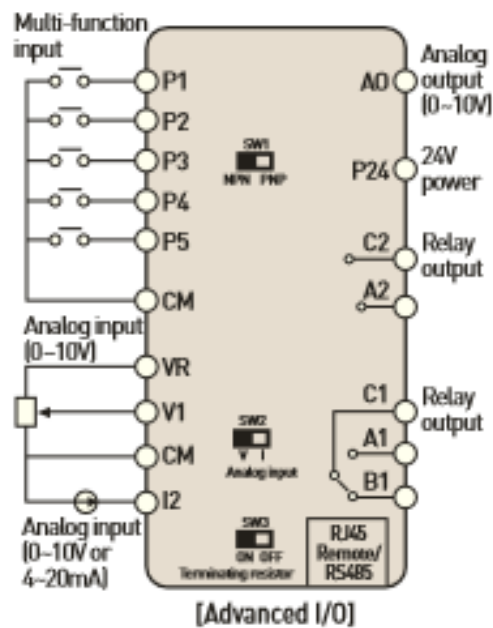
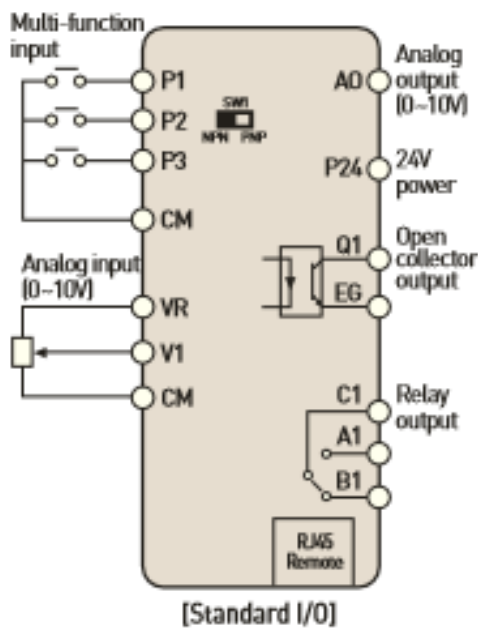
Nominal motor power kW	6 models: 0.1, 0.2, 0.4, 0.75, 1.5 and 2.2kW
Input Voltage	200~240V (-15% ~ +10%)
Input Frequency	50~60Hz (+/- 5%)
IP rating	IP20
Designed operating temperature	-10 to +50°C
Keypad display type	LED 7-segment as standard
Keypad Potentiometer	Yes
Keypad remote mounting	Fixed keypad. Optional remote mounting keypad
DIN rail mounting	Yes
Side by side mounting	Yes (2mm side to side)
Dual rating for Fans and Pumps	No
Overload ratings	Rated Current x 150% x 1 minute.
Integrated EMC Filter	Cat C2 (Class B) with disable facility
Harmonic reducing DC reactor	No
On-board switching relays	Standard 'S' type I/O: 1, 'Advanced A' type I/O: 2
Programmable digital inputs	Standard 'S' type I/O: 3, 'Advanced A' type I/O: 5
Programmable Preset Speeds	Standard 'S' type I/O: 3, 'Advanced A' type I/O: 7
DC injection braking	Yes
Integrated brake chopper	Standard 1.5 & 2.2KW
Motor control method	V/F with manual or auto boost
NPN/PNP logic selectable	Yes
Anti-tamper parameter lock	Yes
PID control with Sleep/Wake function	Yes
Modbus RTU	Standard 'S' type I/O: No, 'Advanced A' type I/O: Yes

Current Ratings, Dimensions and Weight

Part Number	Nominal KW	Max. Continuous Current (A)	Dimensions in mm (w x h x d)	Mass (Kg)
LSLV0001M100~1EOFNS(A)	0.1	0.8	85 x 135 x 100	0.66
LSLV0002M100~1EOFNS(A)	0.2	1.4		
LSLV0004M100~1EOFNS(A)	0.4	2.4	85 x 153 x 123	1.0
LSLV0008M100~1EOFNS(A)	0.75	4.2		
LSLV0015M100~1EOFNS(A)	1.5	7.5	100 x 180 x 140	1.45
LSLV0022M100~1EOFNS(A)	2.2	10.0		

Standard I/O (S type)

Advanced I/O (A type)



Control board I/O

	Standard S-type I/O	Advanced A-type I/O
Number of terminals	14	17
Terminal pitch	5mm	5mm
24V DC output (50mA)	P24	P24
Pot. Supply (+10V)	VR	VR
Analogue input (0~ +10V)	V1	V1
Analogue input 0~20mA or 4~20mA	-	I2
Analogue voltage O/P (0~ +10V)	AO	AO
I/O common (not comms)	CM (1 input)	CM (2 inputs)
Programmable relay	A1,B1,C1	A1,B1,C1 plus A2, C2
Programmable digital O/P	Q1, EG	-
Programmable digital I/P	P1~P3 (3 inputs)	P1~P5 (5 inputs)
RS485	-	RJ45
RS485 Terminating Resistor	-	Yes (Switchable IN/OUT)