

LED LAMP SPECIFICATIONS:	
Luminaire lumens (with diffuser)	<b>700 lm</b>
Lumens from chip (no diffuser)	<b>900 lm</b>
Useful lumens	<b>650 lm</b>
Rated Wattage	10W
Rated luminous flux	650 lm
Nominal life time of the lamp	25,000 hrs
Colour temperature	4000K
Number of switching cycles before premature lamp failure	15,000
Warm-up time up to 60% of the full light output	Instant full light
Dimmable	No
Nominal beam angle	120°
Rated power	10W
Rated lamp lifetime	25,000 hrs
Lamp power factor	0.5
Lumen maintenance factor at end of nominal life	70%
Starting time	0.5s
Colour rendering	80
Colour consistency	Within a six step Macadam ellipse
Rated peak intensity	208cd
Rated beam angle	120°
Voltage / Frequency	220-240V~50/60Hz
Not suitable for accent lighting	

**Eterna**      VECOPIRBH

This luminaire contains built-in LED lamps.

The lamps cannot be changed in the luminaire.

874/2012

# Eterna

*Everyday Lighting For Professionals*

## INSTALLATION INSTRUCTIONS

### A guide for qualified electricians



**Pack contents:**  
1 x LED bulkhead

Model:

# VECOPIRBH

## 10W Economy LED Bulkhead With 120° PIR

These instructions are provided as a guideline to assist you.

PLEASE READ THESE INSTRUCTIONS BEFORE INSTALLATION  
AND RETAIN FOR FUTURE REFERENCE

**EVENTUALLY, YOU MAY WANT TO REPLACE THIS PRODUCT:**

Regulations require the recycling of Waste from Electrical and Electronic Equipment (European "WEEE Directive" effective August 2005—UK WEEE Regulations effective 2nd January 2007). Environment Agency Registered Producer: WEE/ GA0248QZ.

WHEN YOUR PRODUCT COMES TO THE END OF ITS LIFE OR YOU CHOOSE TO REPLACE IT, PLEASE RECYCLE IT WHERE FACILITIES EXIST - DO NOT DISPOSE WITH HOUSEHOLD WASTE.

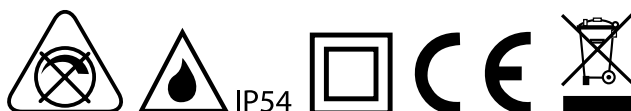
**CLEANING:**

Clean this fitting only with a soft dry cloth.

Do not use any chemical or abrasive cleaners.

**IF YOU EXPERIENCE PROBLEMS:**

If you believe your product is defective, please return it to the place where you bought it. Our Technical Team will gladly advise on any Eterna Lighting product, but may not be able to give specific instructions regarding individual installations.



Email: [sales@eterna-lighting.co.uk](mailto:sales@eterna-lighting.co.uk) / [technical@eterna-lighting.co.uk](mailto:technical@eterna-lighting.co.uk)

## PIR INTRODUCTION:

The bulkhead light incorporates a PIR (passive Infra red) sensing device which continuously scans a preset operating zone and immediately switches the light on when it detects movement in that area.

This means that whenever movement is detected within the range of the sensor the light will switch on automatically to illuminate the area you have selected to light. While there is movement within range of the unit the light will remain on.

## READ THIS FIRST:

Check the pack and make sure you have all of the parts listed on the front of this booklet. If not, contact the outlet where you bought this product.

This product must be installed by a competent person in accordance with the current building and IEE wiring regulations.

As the buyer, installer and/or user of this product it is your own responsibility to ensure that this fitting is fit for the purpose for which you have intended it. Eterna Lighting cannot accept any liability for loss, damage or premature failure resulting from inappropriate use.

This product is designed and constructed according to the principles of the appropriate British Standard and is intended for normal domestic service. Using this fitting in any other environments may result in a shortened working life, for example where there are prolonged periods of use or higher than normal ambient temperatures such as lighting public or shared spaces

Switch off the mains before commencing installation and remove the appropriate circuit fuse or lock off MCB.

This unit is suitable for outdoor use.

This product is not suitable for use in bathrooms.

This product is designed for permanent connection to fixed wiring: this must be a suitable circuit (protected with the appropriate MCB or fuse).

Before making fixing hole(s), check that there are no obstructions hidden beneath the mounting surface such as pipes or cables.

Make sure that the fixings are strong enough to support the weight of the fitting and hold it rigidly.

The chosen location of your fitting should allow for the product to be securely mounted and anchored to a solid surface e.g. concrete, brick or a joist—do not fix directly onto panelling, cladding, plasterboard etc.

This fitting is double insulated; do not connect any part to earth.

Make connections to the electrical supply in accordance with the following code:

Live (L)      Brown or Red  
Neutral (N)    Blue or Black

When working at heights ensure you use a suitable platform.

The lamp must be positioned so that there is at least 0.5m (500mm) between the bulb and any illuminated surface.

When making connections ensure that the terminals are tightened securely and that no strands of wire protrude. Check that the terminals are tightened onto the bared conductors and not onto any insulation.

This product is not intended to be used by children and persons with sensory, physical and/or mental impairments that would prevent them from using it safely.

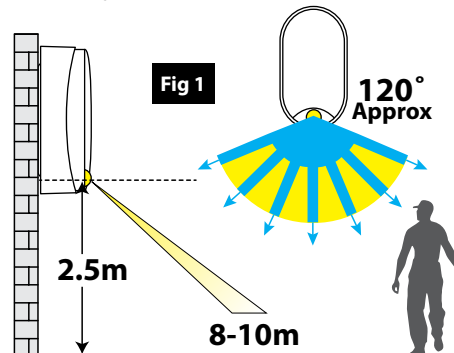
You are advised at every stage of your installation to double-check any electrical connections you have made. After you have completed your installation there are electrical tests that should be carried out, these tests are specified in the current IEE wiring and building regulations.

## WHERE TO FIT YOUR PIR BULKHEAD:

To achieve best results we suggest you take the following points into consideration:

Do not mount on a surface that has vibration.

Ideally the PIR bulkhead light should be mounted 1.8 to 2.5 metres (6 to 8ft) above the area to be scanned (refer to Fig. 1 below).



To avoid damage to the unit do not aim sensor towards the sun.

Avoid positioning the sensor unit adjacent to a bright light source which may prevent the unit from operating when the lux control is set to operate in dark conditions.

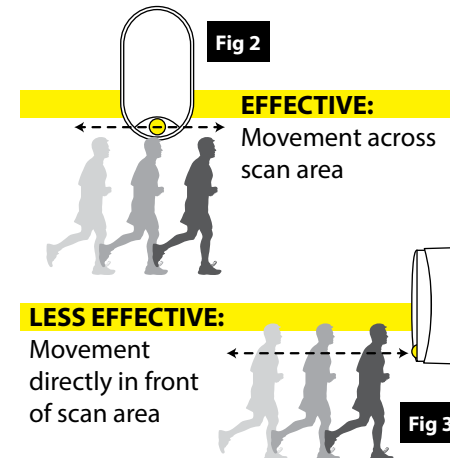
Avoid nuisance false triggering by directing sensor away from:

Trees and shrubs  
Reflective surfaces such as smooth white walls  
Swimming pools  
Heat sources such as boiler flues

The PIR sensor scanning specifications (approximately 8-10 metres at 120°) may vary slightly depending on the mounting height and location.

The detection range of the unit may also alter with temperature change. Before selecting a place to install your PIR bulkhead you should note that movement across the scan area is more effective than movement directly towards or away from the sensor. (refer to Fig. 2 below).

If movement is made walking directly towards or away from the sensor and not across, the apparent detection range will be substantially reduced (refer to Fig. 3 below).



## PIR SPECIFICATIONS:

Detection area:      120°  
Detection range:    Max. 8-10m  
Time adjustable:    10 seconds to 5 minutes  
LUX adjustable:     20 to 2000lux

## LAMP REPLACEMENT:

This luminaire has an LED array and is maintenance free. No replacement is required.

## INSTALLATION:

- 01) Switch off the mains power before commencing installation.
- 02) Remove the trim and diffuser using a screwdriver.
- 03) Position the fitting on the surface where it's to be installed and mark the mounting hole positions.  
  
Drill and plug the wall at the marked positions and pass cable wire through the rubber grommet.  
  
Screw and fix body to the wall with suitable mounting screws (not supplied).
- 04) Connect the main power wires to the terminal block (see the relative symbols below):
- 05) Set PIR controls to desired Lux and Time settings (See next page on understanding the PIR controls).
- 06) Refit the diffuser and trim.
- 07) Restore power.

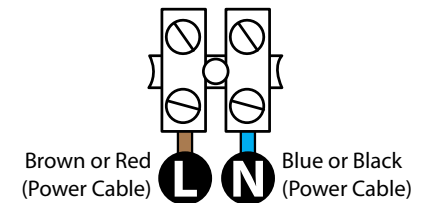


Fig 4



**UNDERSTANDING THE PIR CONTROLS:**

(Referring to Fig. 5 below)

**ADJUSTING THE DURATION TIME:**

The length of time that the light remains switched on after activation can be adjusted from (10±5) seconds to (5±1) minutes. Rotating the TIME control from (+) to (-) (clockwise) will reduce the time duration.

**Note:** Once the light has been triggered by the PIR sensor any subsequent detection will start the timed period again from the beginning.

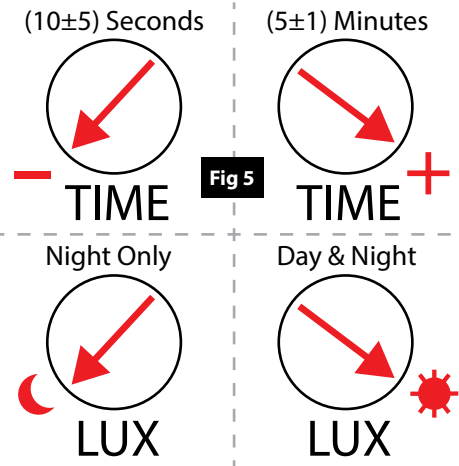


Fig 5

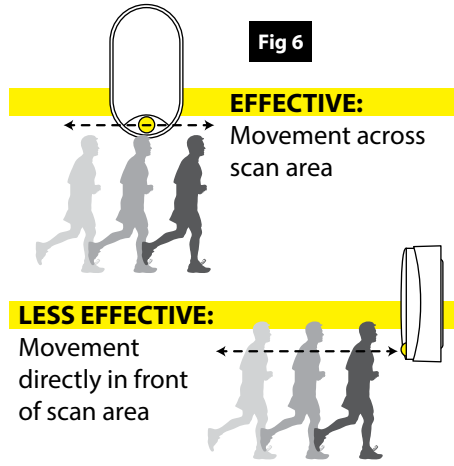


Fig 6

**TROUBLESHOOTING AND USER HINTS:**

**Note:** all passive infra red detectors are more sensitive in cold and dry weather than warm and wet weather.

PROBLEM	POSSIBLE CAUSE	SUGGESTED REMEDY
Light does not switch on when there is movement in the detection area.	1. No mains voltage	Check all connections, and MCB Fuses / switches
	2. Nearby lighting is too bright	Relocate the unit
	3. Controls set incorrectly	Readjust control knob
	4. Wired incorrectly	Check wiring and confirm its wired as per the wiring diagram
Light switches on for no apparent reason (false trigger)	1. Interference from on/off switching of electric fans or lights on the same circuit as your security floodlight.	Should the false triggering become, troublesome, consider: (a) Replacing a faulty switch (b) Connecting the floodlight to a separate circuit (in most cases where one or more of the above suggestions have been carried out, false triggering has been reduced)
	2. Reflection from swimming pool, or reflective surface such as smooth white walls	Relocate sensor
Light remains on	1. Continuously false triggered	Relocating fitting may help
	2. Time is set too long	Reduce time
Light remains on at nighttime	Possible heat source in detection zone	Cover PIR sensor lens with a thick cloth, if the light turns off check detection area for heat or reflective source, reposition head and decrease the sensitivity setting if this control is available
Light switches on during daylight hours	LUX control knob is set to daylight position	Turn the LUX control knob to desired light level setting
When setting the lux controls in daylight the detection distance becomes shorter	Interference by sunlight	Re-test at night

**ADJUSTING THE LUX CONTROL LEVEL:**

The lux control module has a built-in sensing device (photocell) that detects daylight and darkness. The (☼) position denotes that the bulkhead light can work at day and night, and the (☾) position will only work at night. You can set to operate the light at the desired level by adjusting the LUX dial.

**SETTING THE CONTROLS:**

- 01) Turn the LUX control to light (☼) position, at this stage ensure that the time control is set at minimum duration time (-) position. The bulkhead light will now switch on and remain on for about 10±5 seconds.
- 02) When the fitting is mounted, the sensor will detect in the area in front of the fitting. Have another person move across the centre of the area to be scanned and slowly adjust the PIR sensor until the unit senses the presence of the moving person, causing the lamp to switch on. (Refer to Fig. 6 above).
- 03) Adjust time control to required setting.
- 04) To set the lux level at which the lamp will automatically switch "on" at night, turn the LUX control from daylight to night (☾). If the lamp is required to switch on earlier, e.g. dusk, wait for the desired environment light level, then slowly turn the LUX control towards daylight (☼) while someone walks across the centre of the area to be detected. When the lamp switches on, release the lux control. You may need to make further adjustments to achieve your ideal light level setting.