

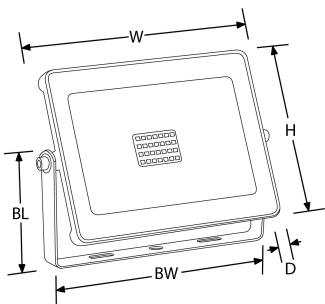


Product Description: QuaZar™ 20W Adjustable IP65 Driverless Floodlight

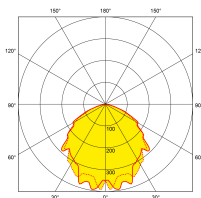
The IP65 driverless range of QuaZar™ floodlights incorporate the latest in high voltage LED technology. With their ultra slim profile and high performance, now you can light your external areas and gardens without sacrificing the appearance. Available in 10W, 20W, 30W and 50W versions.

SKU Code	Wattage	Colour	Lumens	Lumens/Watt	Beam Angle	Finish Colour	SKU Type
EN-FLH20BLK/40	20	4000	1800	90	120	Black	Non Dimmable
EN-FLH20W/40	20	4000	1800	90	120	White	Non Dimmable

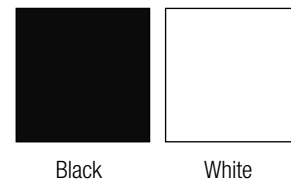
Line Drawing



Polar Curve



Colour



Product Features:

- IP65 rated LED floodlight with ultra slim design
- IK08 rated aluminium housing and tempered glass
- Available in matt black and matt white finish housing
- Pre-wired with 800mm of cable
- 1.5kV surge protection
- 3 year warranty

Product Specs:

Input Voltage	180~265V AC	Input Frequency	50/60HZ
Power Factor	0.9	IP Rating	IP65
Lifetime L70 (hrs)	25000	IK Rating	IK06
Lamp Base	None	Width (mm)	167
Weight (Kg)	0.642	Height (mm)	127
Product Type	Floodlights	Operating Temp. (Min) °C	-30°C
Operating Temp. (Max) °C	40°C		

Compliance & Approvals:



Warranty:

This product has a warranty period of 3 Years. Warranties may be available on certain products as indicated in the product description. Warranties are valid from the date of purchase. The warranty is invalid in the case of improper use, installation, tampering, removal of the Q.C. date label or installation in an improper working environment or installation. Should this product fail during the warranty period it will be replaced free of charge, subject to the correct installation of the original product and subsequent return of the faulty unit. Aurora does not accept responsibility for any installation costs associated with the replacement of this product and Aurora reserves the right to alter specifications without prior notice.