

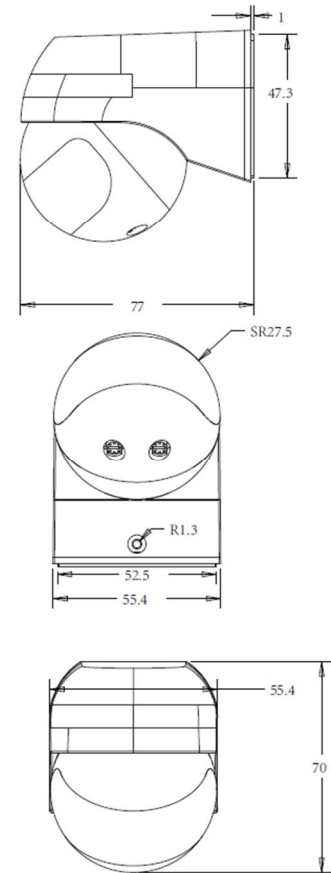
DATA SHEET:

OS0014/OS0014B

Knightsbridge[®]
the mark of quality

ISSUE: AKDEC17VOL3

IP44 180° Mini PIR sensor



Model No.	OS0014	OS0014B
Description	White	Black
Dimensions (mm)	Height – 70 Width – 55.4 Projection - 77	
Net. Weight (kg)	0.09	
Input Voltage	Mains 230V ~ 50Hz	
Max. load (W)	2000 incandescent, 1000 LED	
IP rating	IP44	
Sensor type	PIR	
Recommended installation height (m)	1.8 to 2.5	
Field of detection (°)	180	
Range (m)	12	
Time delay	Min 10sec ± 3sec – Max 15min ± 3mins	
Lux adjustment (lx)	3 – 2000	
Manual override	No	
Manufactured in accordance with	EN 61058-1:2002+A2, EN 55015:2013, EN61547:2009, EN 61000-3:2014, EN 61000-3:2013	
Warranty	1 year	
Construction	PC	
Origin of manufacture	China	
Declaration of Conformity (held on file)	Yes	
EAN	5055832951667	5055832951674

