

INSTALLATION & MAINTENANCE MANUAL
OS0016



GENERAL INSTRUCTIONS

These instructions should be read carefully and retained after installation by the end user for future reference and maintenance.

These instructions should be used to aid installation of the following product:

OS0016

SAFETY

- Installation of this sensor should only be carried out by a qualified electrician or competent person to the latest Building and current IEE Wiring Regulations (BS7671)
- Please isolate mains prior to installation/maintenance
- Check the total load on the circuit does not exceed the rating of the circuit cable, fuse or circuit breaker
- Please note the IP (Ingress of Protection) rating of this sensor when deciding the location for installation
- This product is Class II double insulated
- This product is IP20 rated

INSTALLATION

- Provide power to the required point of installation. Suitable IP rated junction boxes should be used where required
- We recommend an installation height of between 2.2m and 4m
- Remove clear cable connections cover (see Fig 1)

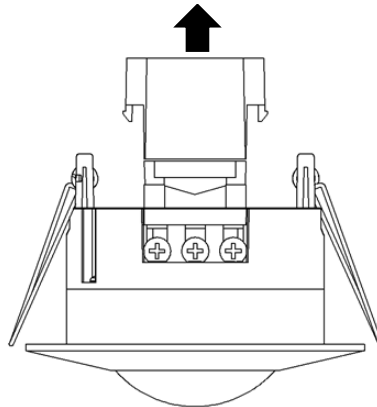


Fig 1

- Cut an 80mm cut-out ensuring not to infringe with any joists, gas or water pipes or electrical cables
- Connect the sensor to the luminaire and mains supply (via terminal connector) ensuring the correct polarity is observed. See Fig 2 for the wiring diagram (Live (brown), Neutral (blue) and Switched Live (A)

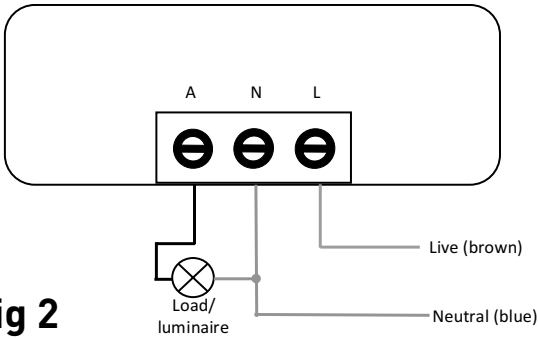


Fig 2

- Please see Fig 3 for sensor adjustments
- Replace cable connections cover
- Switch on power supply and check for correct operation

SENSOR SETUP

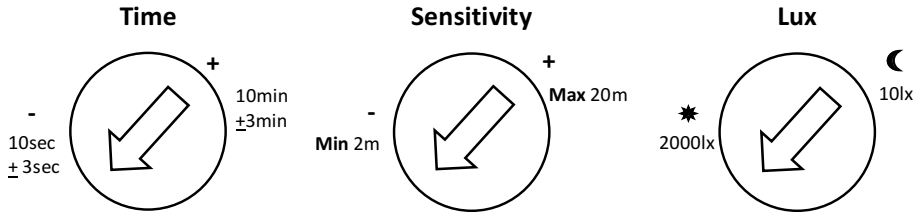
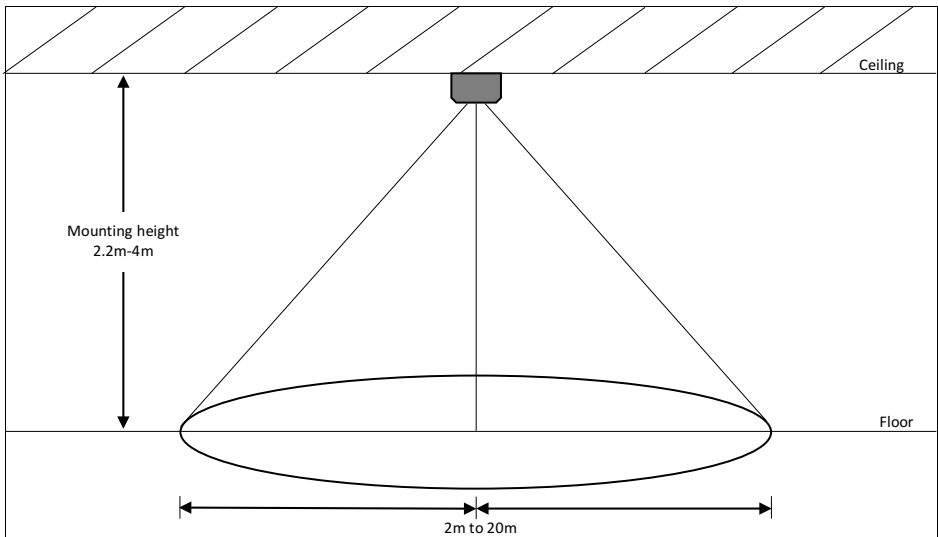


Fig 3

DETECTION DIAGRAM



WARNING

This product must be disconnected from the circuit if subjected to any high voltage or insulation resistance testing. Irreparable damage will occur if this instruction is not followed.

GENERAL

The unit should be recycled in the correct manner when it reaches the end of its life. Check local authorities for where facilities exist.

Clean with a soft dry cloth only, do not use aggressive cleaning products or solvents which may damage the sensor.

WARRANTY

This product has a warranty of 1 year from date of purchase. Failure to install this product in accordance with the current edition of the IEE Wiring Regulations, improper use, or removal of the batch codes will invalidate the warranty. If this product should fail within its warranty period it should be returned to the place of purchase for a free of charge replacement. ML Accessories does not accept responsibility for any installation costs associated with the replacement product. Your statutory rights are not affected. ML Accessories reserve the right to alter product specification without prior notice.

Knightsbridge[®]

the mark of quality



ML Accessories Limited
LU5 5TA
www.mlaccessories.co.uk

SBOCT16_V2